

Manual Valve

Type 289 / 295 DN 12 - 15 (3/8" - 1/2")

Type 289 hand wheel operated actuator in plastic is a compact designed valve ideal for using where space is at a premium.

The smooth contour finish of the plastic cover eliminates accumulation of dirt and is corrosion resistant.

Type 295 hand wheel operated actuator with stainless steel bonnet is the same compact design as type 289 but with a stainless steel bonnet which allows this valve to be used for higher temperature, depending on the diaphragm material to be used.

K_v 100 flow coefficient

The K_v 100 flow coefficient is the Q flow rate of cubic meter per hour of water at a temperature of 20°C that will generate $\Delta p = 1$ bar pressure drop at a certain valve position.

The K_v 100 values shown in the table are calculated with the valve completely open.

Features

- Process media can be neutral or aggressive liquid, and gaseous, dependent upon material selection of body and diaphragm
- Flow can be in either direction
- Insensitive to dirty or contaminated media
- Excellent flow characteristic
- Bubble tight sealing
- Installation can be in any position
- Eliminates water hammer
- Complete with position indicator
- Compact construction
- Maintenance free and non corrosive actuator
- Adjustable internal travel stop

Technical specifications

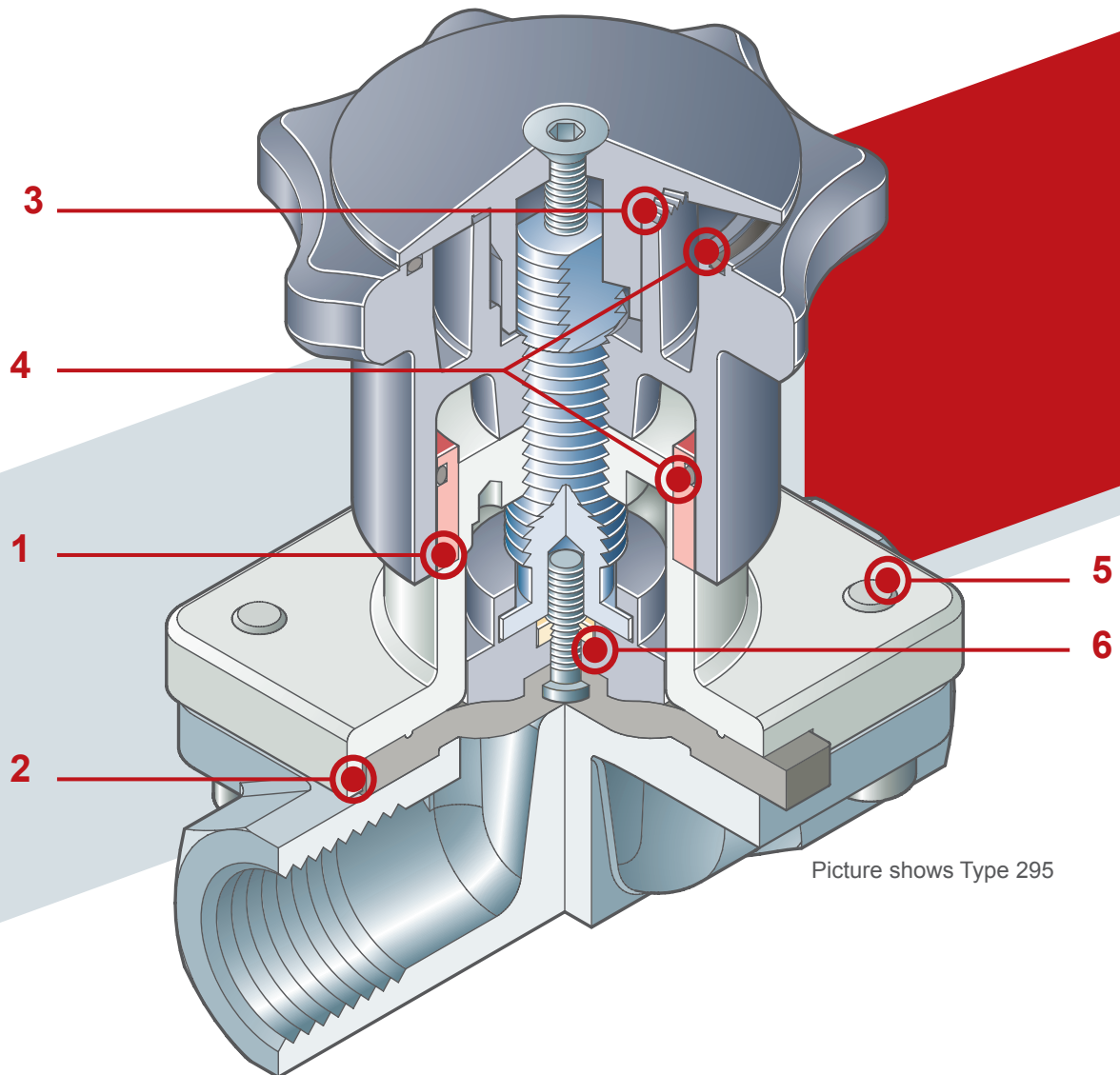
Design	Diaphragm Valve Type 295, Stainless steel bonnet and plastic handwheel Type 289, Plastic bonnet and handwheel
Size range	DN 12 - 15
Diaphragm size see page 11	MA 10
Body material	Investment cast 1.4435/316L
End connection standards see page 8-9	Threaded socket: DIN ISO 228
Diaphragm material	EPDM, PTFE, NBR, FPM
Actuator material	Type 295, Bonnet stainless steel, hand wheel PA-GR, rising handwheel Type 289, PA-GR, rising handwheel
Max. working pressure	10 bar (150 PSI), Type 295 6 bar (87 PSI), Type 289
Temperature range	-10 °C to +150 °C, depending on diaphragm and body material
Control functions	Manual control

Note: Possible actuator and valve body combinations see page 7.
Ordering key see page 60.

DN	12	15
K_v m ³ /h	2,8	4,2
C_v gpm	3,3	4,9

Manual Valve

Type 289 / 295 DN 12 - 15 (3/8" - 1/2")



Picture shows Type 295

1 Optical position indicator supplied as standard

3 Adjustable internal travel stop to prevent excessive compression of the diaphragm

5 Bottom entry stainless steel bolting

2 Encapsulated diaphragm to prevent the elastomer of the diaphragm from extruding beyond the body bonnet flange

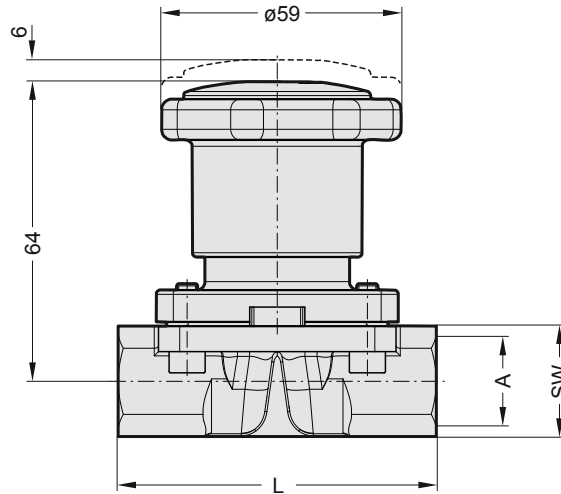
4 Sealing bonnet assembly

6 Flexible diaphragm suspension to eliminate point loading at the center of the diaphragm

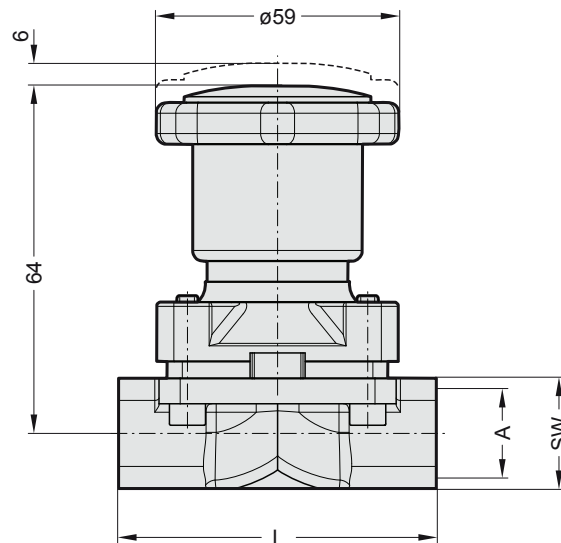
Manual Valve

Type 289 / 295 DN 12 - 15 (3/8" - 1/2")

Type 295



Type 289



Dimensions (mm)

DN	MA	A	L	SW	Weight kg 295 / 289
12	10	G3/8"	56	22	0,52 / 0,38
15	10	G1/2"	75	27	0,58 / 0,44