

Manual Valve

Type 905 DN 15 - 50 (1/2" - 2")

Type 905 is a new innovative and User-friendly manual diaphragm valve with integrated, beneficial features for our customers and has an attractive design. The valve differentiates from the existing products in the market by offering unique features.

Features

- Stainless steel bonnet and plastic hand wheel
- Rising hand wheel with optical indicator and stroke indicator
- Sealed bonnet
- Internal travel stop
- Locking device
- Flexible diaphragm suspension
- Encapsulated diaphragm
- Stroke limiter optional

Technical specifications

Design	Diaphragm Valve Stainless steel bonnet and plastic handwheel
Size range	DN 15 - 50
Diaphragm size see page 11	MA 25 - 50
Body material	Investment cast 1.4435/316L-PFA-Lined
End connection standards see page 8-9	Flange: EN 1092 PN10/16, ANSI Class 125/150
Diaphragm material	EPDM, PTFE, NBR, FPM
Actuator material	PA MXD6-GF, bonnet stainless steel, rising hand wheel
Max. working pressure	10 bar (150 PSI)
Temperature range	-10 °C to +150 °C, depending on diaphragm and body material
Control functions	Manual control

Note: Possible actuator and valve body combinations see page 7.
Ordering key see page 60.

K_v100 flow coefficient

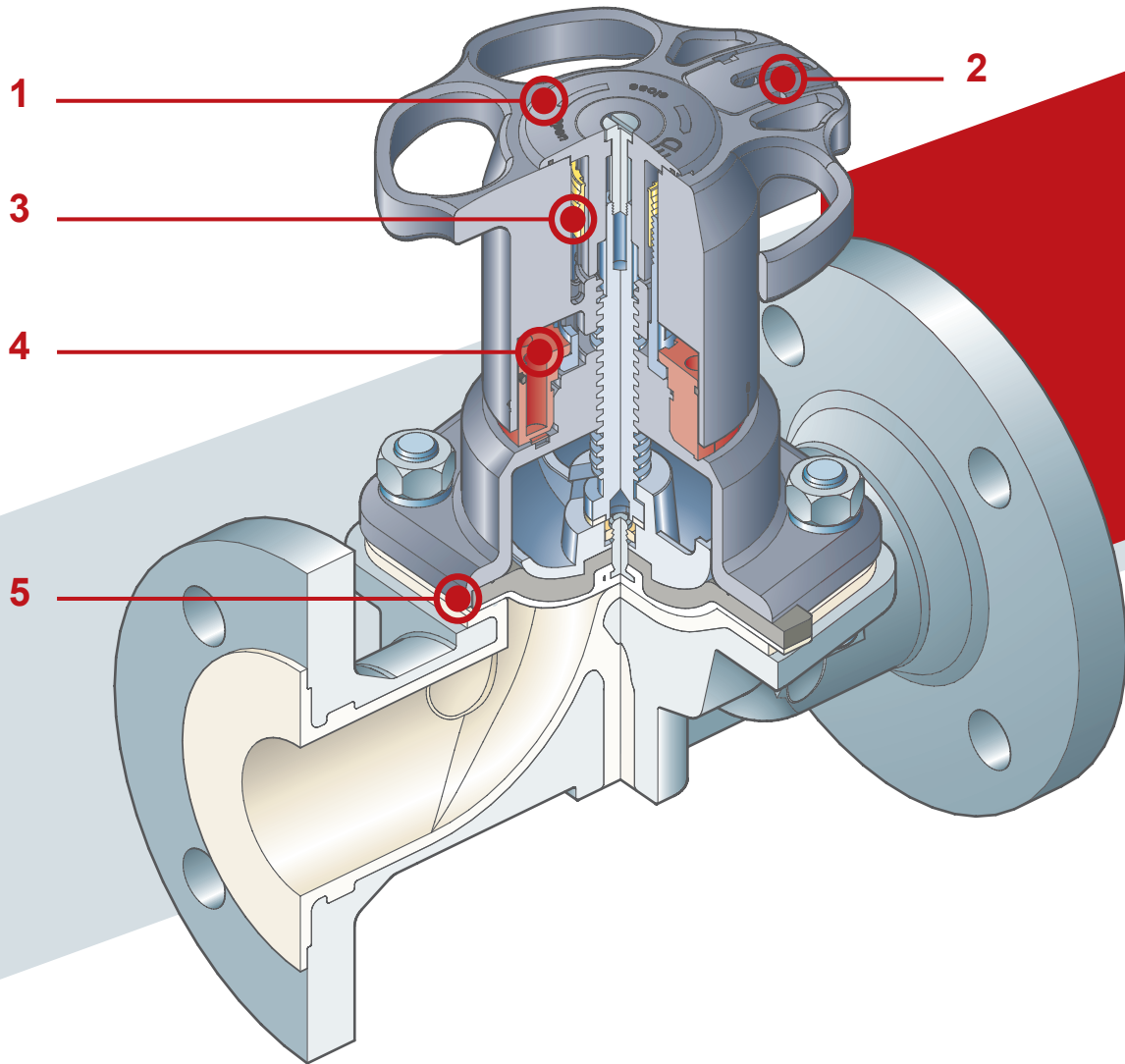
The K_v100 flow coefficient is the Q flow rate of cubic meter per hour of water at a temperature of 20°C that will generate $\Delta p = 1$ bar pressure drop at a certain valve position.

The K_v100 values shown in the table are calculated with the valve completely open.

DN	MA	Plastic lined	
		Kv m ³ /h	Cv gpm
15	25	5	6
20	25	9	11
25	25	13	15
32	40	23	27
40	40	26	30
50	50	50	59

Manual Valve

Type 905 DN 15 - 50 (1/2" - 2")

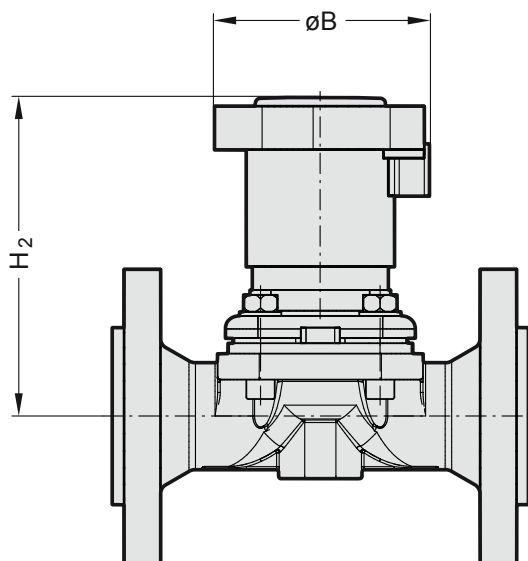


- 1** Adjustable internal travel stop to prevent excessive compression of the diaphragm
- 2** Locking System, innovative hand wheel with a patent ergonomic operating manual bonnet
- 3** Adjustable internal Stroke Limiter to adjust the linear movement of the upper position
- 4** Optical position indicator supplied as standard
- 5** Encapsulated diaphragm to prevent the elastomer of the diaphragm from extruding beyond the body bonnet flange

Manual Valve

Type 905 DN 15 - 50 (1/2" - 2")

Flanged



Dimensions (mm)

DN	MA	ØB	H ₂	Weight kg
15	25	100	123	3,1
20	25	100	123	3,2
25	25	100	123	4,4
32	40	140	177	8,0
40	40	140	177	8,0
50	50	140	195	11,0

Note: Valve body face to face (FTF) and flange dimensions see page 8.