

KMD 188

Pneumatically Operated Valve DN 8 - 20 mm (3/8" - 3/4")

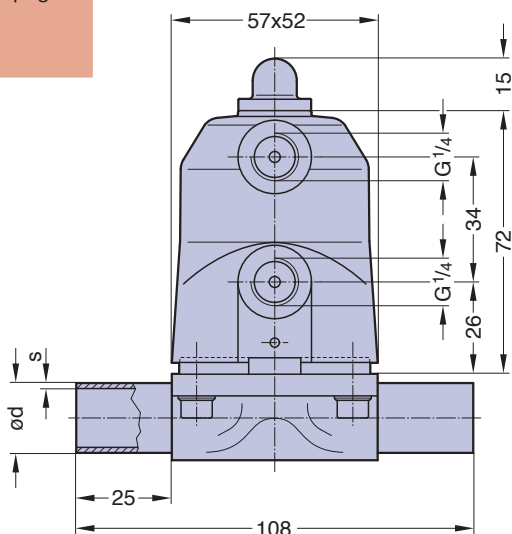


HS-Version, Cf. 1, 2 & 3



HS-Version, Cf. 4 & 5

Butt weld ends
MA 10
Fold out page 21



Features

- Efficient plastic piston actuator direct assembled with the valve body
- Control air connection 90° to flow direction for side by side or other installations saving space
- Compact design, the outside diameter of the actuator is the same size as the bonnet flange
- Actuator high resistance to heat transfer
- Smooth exterior design ideal for wash downs
- Encapsulated diaphragm
- Optical indicator
- CDSA sealing concept, see page 32

Optional

- Available with a wide range of control equipment and accessories see page 108 to 115, also for retrofitting
- Control air connection in flow direction

Technical Data

Control function (Cf.): Pneumatically operated
Fail safe close (NC): Cf. 1 & 4
Fail safe open (NO): Cf. 2 & 5
Double acting (DA): Cf. 3

Direction

Control connection: At Cf. 1, 2 & 3, 90° to flow direction, standard
At Cf. 4 & 5 in flow direction

Max. working pressure: Unidirectional (delta p = 100%)
EPDM diaphragm 8 bar (115 psi)
PTFE diaphragm 7 bar (100 psi)

Higher working pressure may be achieved with different actuator. Please consult a SED factory representative for working pressure above the indicated maximum.

Max. working temperature: PS-Version 80°C (176°F)
HS-Version 150°C (300°F)
dependent on Application

Control pressure: Cf. 1 & 4 4,2 - 7 bar (60 - 100 psi)
Cf. 2, 3 & 5 4 - 5 bar (60 - 72 psi)

Diaphragm material: EPDM or PTFE

Valve body material: Forged 1.4435/ 316 L ASME/BPE
Investment cast 1.4435/ 316 L
Other alloys

End connection: Butt weld ends see fold out page 21
Clamps and flanges see page 22 and 23
Special ends

Actuators suitable for: Two-Way bodies
Welded configurations

Flow rate: Kv in m³/h (Cv in GPM) see page 9

Diaphragm size: MA 10

Weight: ca. 0,6 kg

Valve type overview see page 26 and 27.
Ordering key see page 62 and 63.

Singapore Sales Enquiry:
Email: sales@pipeline.com.sg
Tel: (65) 6570 0310

Myanmar Sales Enquiry:
Email: sales@pipeline-mm.com
Tel: (95) 9509 5758

