

KMD 402

Pneumatically Operated Valve DN 15 - 50 mm (3/4" - 2 1/2")



Cf. 4, 5 & 6

Features

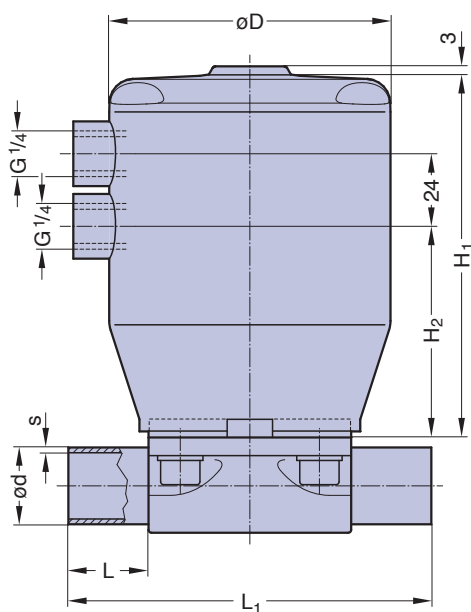
- Plastic piston actuator
- Compact design
- Actuator high resistance to heat transfer
- Control air connection in flow direction
- CDSA sealing concept, see page 32
- Flexible diaphragm suspension
- Encapsulated diaphragm
- Smooth exterior design ideal for wash downs

Optional

- Available with a wide range of control equipment and accessories see page 108 to 115, also for retrofitting
- Control air connection 90° to flow direction

Technical Data

- Control function (Cf.): Pneumatically operated
 Fail safe close (NC): Cf. 1 & 4
 Fail safe open (NO): Cf. 2 & 5
 Double acting (DA): Cf. 3 & 6
- Direction
 Control connection: At Cf. 4, 5 & 6, in flow direction, standard
 At Cf. 1, 2 & 3, 90° to flow direction
- Max. working pressure: Unidirectional (delta p = 100%)
 EPDM Diaphragm 10 bar (150 psi)
 PTFE Diaphragm 8 bar (115 psi)
- Higher working pressure may be achieved with different actuator. Please consult a SED factory representative for working pressure above the indicated maximum.
- Max. working temperature: HS-Version 150°C (300°F)
 dependent on application
- Control pressure: Cf. 1 & 4 4,5 - 7 bar (65 - 100 psi)
 Cf. 2, 3, 5 & 6 4 - 5 bar (60 - 72 psi)
- Diaphragm material: EPDM or PTFE
- Valve body material: Forged 1.4435/ 316 L ASME/BPE
 Investment cast 1.4435/ 316 L
 Other alloys
- End connection: Butt weld ends see fold out page 21
 Clamps and flanges see page 22 and 23
 Special ends
- Actuators suitable for: Two-Way bodies
 Welded configurations
- Flow rate: Kv in m³/h (Cv in GPM) see page 9
- Diaphragm size: MA see table below



Cf. 1, 2 & 3

Butt weld ends
 MA 25 - 50
 Fold out page 21

DN (mm)	MA	Dimensions (mm)					Total weight ca. (kg)	
		L	L ₁	H ₁	H ₂	D	Investment cast	Forged
15-25	25	25	120	120	70	95	1,5	1,6
32-40	40	25	153	133	75	115	2,8	3,1
50	50	30	173	173	111	144	4,9	6,0

Singapore Sales Enquiry:
 Email: sales@pipeline.com.sg
 Tel: (65) 6570 0310

Myanmar Sales Enquiry:
 Email: sales@pipeline-mm.com
 Tel: (95) 9509 5758



Valve type overview see page 26 and 27.
 Ordering key see page 62 and 63.

