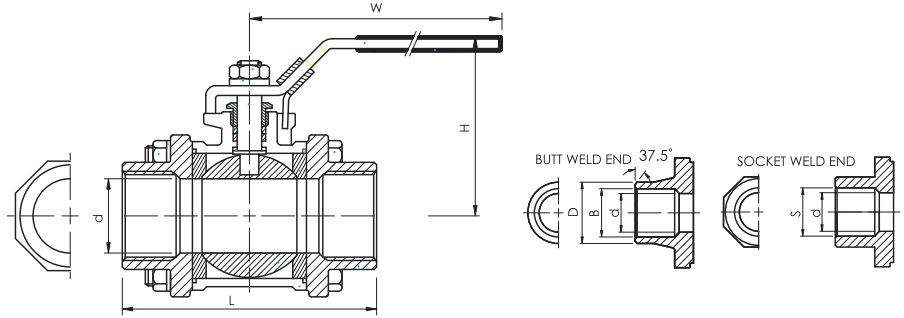


# BALL VALVE - THREADED END



1/4" - 4"

BVFM301-17-R0

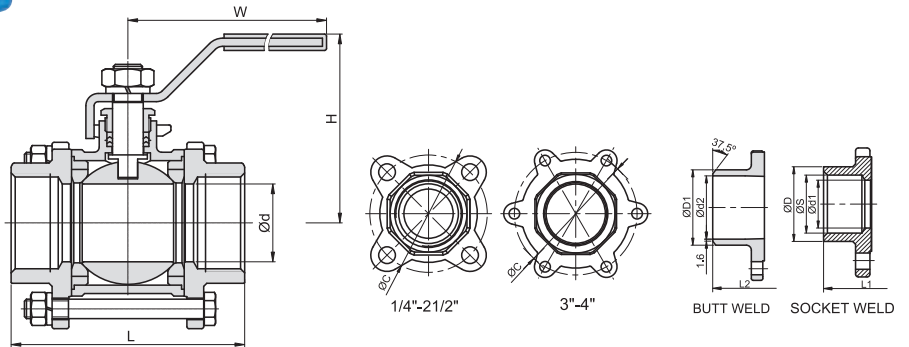
## TYPE FM 301

- 1000PSI/ PN63
- BODY CF8M/ 1.4408, CF8/ 1.4308, WCB/ 1.0619
- THREADED/ SOCKET WELD/ BUTT WELD END
- LUG BODY, FULL PORT
- OPTION: LOCKING DEVICE, DIN 3202 M3 LENGTH, REDUCED PORT

### Dimensions

Unit :mm

SIZE	d	L	H	W	B	D	S	KG
1/4"	11.6	65	51	95	12	18	14.1	0.41
3/8"	12.7	65	51	95	14	18	17.6	0.41
1/2"	15	66	55	95	17.1	22	21.7	0.65
3/4"	20	81	60	110	22.5	27.5	27.1	0.80
1"	25.4	95	74	135	28	33.5	33.8	1.20
1-1/4"	32	109	80	135	33.5	44	42.6	2.05
1-1/2"	38.1	129	92	165	43	50	48.7	2.80
2"	50.8	150	101	165	53	61.5	61.1	4.35
2-1/2"	65	180	130	215	65	76	76.9	8.40
3"	80	206	142	215	80	92	89.8	14.5
4"	100	261	174	325	100	115	115.4	26.5



1/4" - 4"

BVFM301E-17-R0

## TYPE FM 301E

- ECONOMIC TYPE**
- 1000PSI/ PN63
- BODY CF8M/ 1.4408, CF8/ 1.4308, WCB/ 1.0619
- THREADED/ SOCKET WELD/ BUTT WELD END
- LUG BODY, FULL PORT
- OPTION: LOCKING DEVICE

### Dimensions

Unit :mm

SIZE	Ød	Ød1	Ød2	ØD	ØD1	ØS	L	L1	L2	H	W	ØC	KG
1/4"	11.6	11.6	11.6	22.6	17	14.1	58	58	70	54	102	37.5	0.33
3/8"	12.7	12.7	12.7	22.6	17	17.6	58	58	70	54	102	37.5	0.32
1/2"	15	15	16	27.3	21.3	21.7	63	63	75	62	123	45.5	0.47
3/4"	20	20	20	33.1	26.7	27.1	73	73	90	66	123	52.5	0.60
1"	25	25	25	39.8	33.6	33.8	85	85	100	77	153	57.5	0.86
1-1/4"	32	32	33.8	48.6	42.4	42.6	96	96	110	80	153	71.5	1.34
1-1/2"	38	38	39.5	55.1	48	48.7	114	114	125	91	183	79	1.96
2"	50	50	50.8	68.1	60.5	61.1	134	134	150	98	183	97	3.06
2-1/2"	65	65	62.7	85.9	76.1	76.9	180	180	190	138	246	124.5	6.41
3"	80	80	77.9	100.8	88.9	89.8	200	200	220	149	246	149	9.10
4"	100	100	100	127.5	114.2	115.4	228	228	270	175	246	180.6	14.33