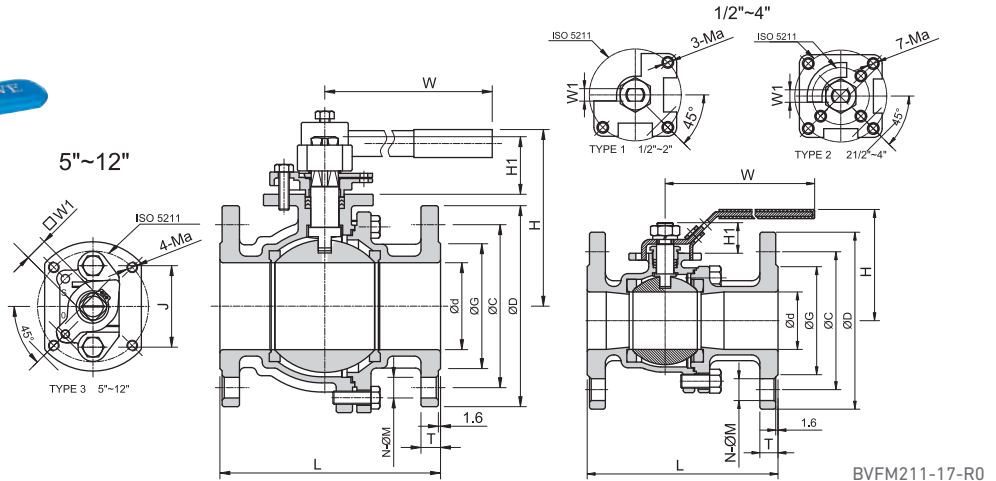


# BALL VALVE - FLANGED END



1/2" - 12"

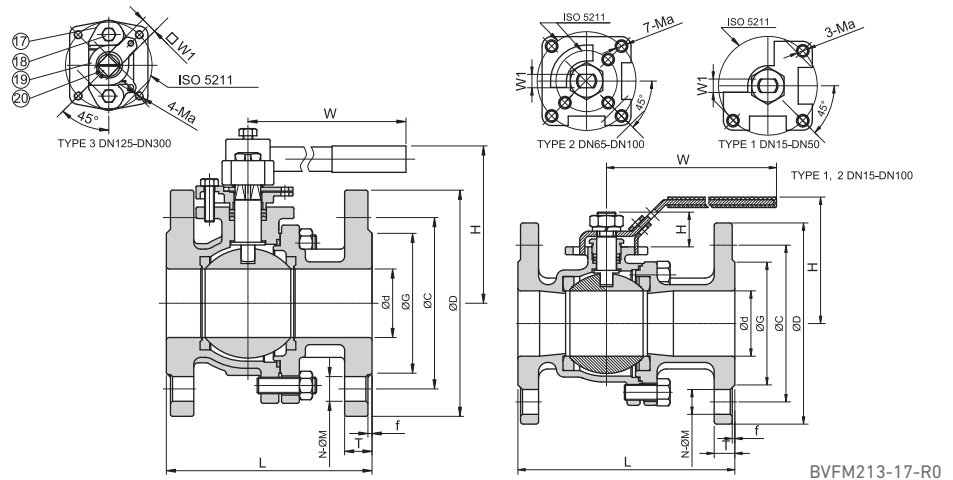
## TYPE FM 211

- 2-PC BODY, ANSI 150LBS
- BODY CF8M, CF8, WCB
- FLANGE ANSI B16.5 150LBS, FACE TO FACE ANSI B16.10
- ANTI-STATIC & FIRE SAFE DESIGN
- FULL PORT
- MOUNTING PAD FOR ISO 5211
- OPTION: SOLID BALL/ HOLLOW BALL/ WELDED BALL, WRENCH HANDLE, LOCKING DEVICE

### Dimensions

Unit:mm

SIZE	Ød	ØD	ØC	ØG	T	N-ØM	L	H	H1	W	□W1	J	ISO 5211	Ma
1/2"	15	89	60.5	35	12.1	4-Ø16	108	72	16.5	123	6.5	-	F03	M5
3/4"	20	98	70.0	43	12.1	4-Ø16	117	76	16.5	123	6.5	-	F03	M5
1"	25	108	79.5	51	12.1	4-Ø16	127	92	23.5	185	9.5	-	F04	M5
1-1/4"	32	117	89.5	64	12.7	4-Ø16	140	95	21.0	153	8.0	-	F04	M5
1-1/2"	40	127	98.5	73	14.3	4-Ø16	165	125	37.5	246	12	-	F07	M8
2"	50	152	120.5	92	15.9	4-Ø19	178	132	37.5	246	12	-	F07	M8
2-1/2"	65	178	139.5	105	17.5	4-Ø19	190	166	47.0	285	16	-	F07-F10	M10
3"	80	190	152.5	127	19.1	4-Ø19	203	176	47.0	285	16	-	F07-F10	M10
4"	100	229	190.5	157	23.9	8-Ø19	229	189	47.0	385	16	-	F07-F10	M10
5"	125	254	216.0	186	23.9	8-Ø22	356	224	63.0	750	24	89	F12	M12
6"	150	279	241.5	216	25.4	8-Ø22	394	247	59.0	750	24	89	F12	M12
8"	200	343	298.5	270	28.6	8-Ø22	457	305	74.0	1000	32	100	F12	M12
10"	250	406	362.0	324	30.2	12-Ø25	533	327	98.0	1000	32	100	F14	M16
12"	300	483	432.0	381	31.8	12-Ø25	610	355	91.0	1000	32	100	F14	M16



1/2" - 12"

## TYPE FM 213

- 2-PC BODY, DIN PN16
- BODY 1.4408, 1.4308, 1.0619
- FLANGE DIN2633 PN16, FACE TO FACE DIN3202 F4/ F5
- ANTI-STATIC & FIRE SAFE DESIGN
- FULL PORT
- MOUNTING PAD FOR ISO 5211
- OPTION: SOLID BALL/ HOLLOW BALL/ WELDED BALL, WRENCH HANDLE, LOCKING DEVICE, FACE TO FACE F1, RATING PN40

### Dimensions

Unit:mm

SIZE	Ød	ØD	ØC	ØG	f	T	N-ØM	L	H	W	□W1	ISO 5211	Ma
1/2"	15	95	65	45	2	16	4-Ø14	115	76	153	8	F04	M5
3/4"	20	105	75	58	2	18	4-Ø14	120	78	153	8	F04	M5
1"	25	115	85	68	2	18	4-Ø14	125	92	188	9.5	F05	M6
1-1/4"	32	140	100	78	2	18	4-Ø18	130	95	188	9.5	F05	M6
1-1/2"	40	150	110	88	3	18	4-Ø18	140	126	255	12	F07	M8
2"	50	165	125	102	3	20	4-Ø18	150	132	255	12	F07	M8
2-1/2"	65	185	145	122	3	18	4-Ø18	170	166	288	16	F10	M10
3"	80	200	160	138	3	20	8-Ø18	180	176	288	16	F10	M10
4"	100	220	180	158	3	20	8-Ø18	190	190	388	16	F10	M10
5"	125	250	210	188	3	22	8-Ø18	325	224	750	24	F12	M12
6"	150	285	240	212	3	22	8-Ø22	350	247	750	24	F12	M12
8"	200	340	295	268	3	24	12-Ø22	400	305	1000	32	F12	M12
10"	250	405	355	320	3	26	12-Ø26	450	327	1000	32	F14	M16
12"	300	460	410	378	4	28	16-Ø26	500	355	1000	32	F14	M16