

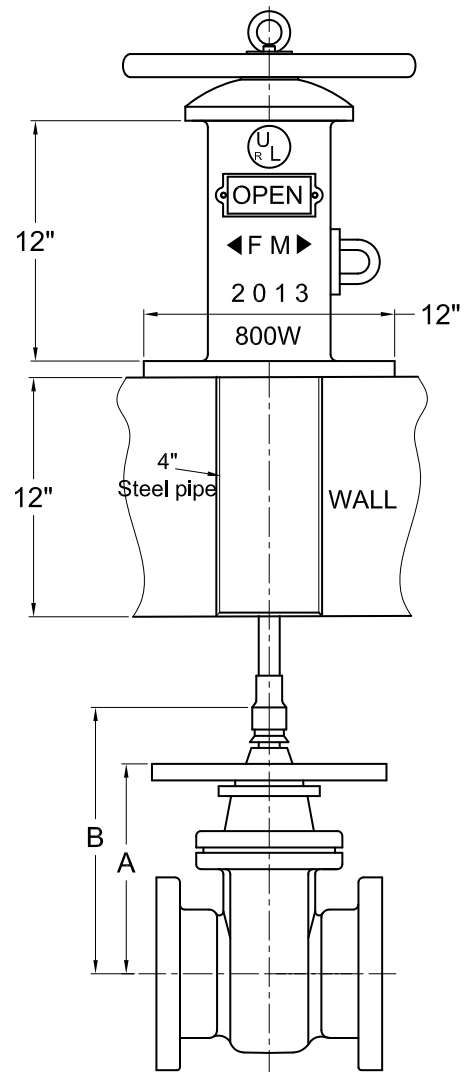
**Fig. 800W**  
**WALL TYPE INDICATOR POST**

**Features & Benefits**

- UL listed. FM approved.
- Used for applications where a valve is installed behind a wall.
- The wall flange of the wall type Indicator Post is tapped for 4" schedule 40 steel pipe (furnished by customer) which extends through the wall.
- Handwheel operation.

**Material List**

Part Name	Material	ASTM SPEC.
Washer	Steel	Commercial
Hand Wheel	Cast Iron	ASTM A126-B
Retaining Ring	Steel	SAE1065-1090
Hex.Head Bolt	Steel	ASTM A563-A
Hexagon Nut	Steel	ASTM A307-A
Window Glass	Plexiglass	Commercial
Fixed Plate	Steel	Commercial
Target Frame	Cast Bronze	ASTM B62
Extension Rod	Mild Steel	A105-80
Socket	Cast Iron	ASTM A126-B
Cotter Pin	Stainless Steel	AISI 304
Operating Stem	Cast Bronze	ASTM B62
Body	Cast Iron	ASTM A126-B
Cap	Cast Iron	ASTM A126-B
Sign Plate	Aluminum	Commercial
Window Frame	Steel	Commercial



**Dimensions (Inch)**

Nominal Size	Dimensions in Inches		Ext. Rod Length	Approx Net.Wt. (Lbs)
	A	B		
4"	9.56	13.63	3'	90 (All Sizes)
6"	13.69	18.00	3'	
8"	16.50	21.00	3'	
10"	19.88	24.63	3'	
12"	23.50	28.25	3'	

■ Note: Design and materials are subject to change without notice.

C-011

Revision: 2.05.2013