

Manual Valve

Type 982 DN 15 - 50 (1/2" - 2")

Type 982 the diaphragm valve is particularly suitable for shutting off and regulating abrasive or dirty fluids.

The valve is extremely compact and very light. The innovative hand wheel is equipped with a patented immediate and ergonomic operating locking device that allows it to be adjusted and locked in any position.

Features

- Process media can be neutral or aggressive liquid, and gaseous, dependent upon material selection of body and diaphragm
- Flow can be in either direction
- Insensitive to dirty or contaminated media
- Excellent flow characteristic
- Locking device
- Bubble tight sealing
- Installation can be in any position
- Eliminates water hammer
- Complete with position indicator
- Compact construction
- Maintenance free non corrosive actuator

Technical specifications

Design	Diaphragm Valve Plastic bonnet and handwheel
Size range	DN 15 - 50
Diaphragm size see page 11	MA 25 - 50
Body material	Investment cast 1.4435/316L S.G. iron EN-GJS-400-18-LT (GGG40.3)-PP-Lined S.G. iron EN-GJS-400-18-LT (GGG40.3)-PFA-Lined Cast iron EN-GJL-250 (GG 25) Cast iron EN-GJL-250 (GG 25)-Hard-Rubber-Lined
End connection standards see page 8-9	Threaded socket: DIN ISO 228 Flange: EN 1092 PN10/16, ANSI Class 125/150
Diaphragm material	EPDM, PTFE, NBR, FPM
Actuator material	PP-GR, non rising handwheel
Max. working pressure	10 bar (150 PSI)
Temperature range	-10 °C to +80 °C , depending on diaphragm and body material
Control functions	Manual control

Note: Possible actuator and valve body combinations see page 7.
Ordering key see page 60.

K_v100 flow coefficient

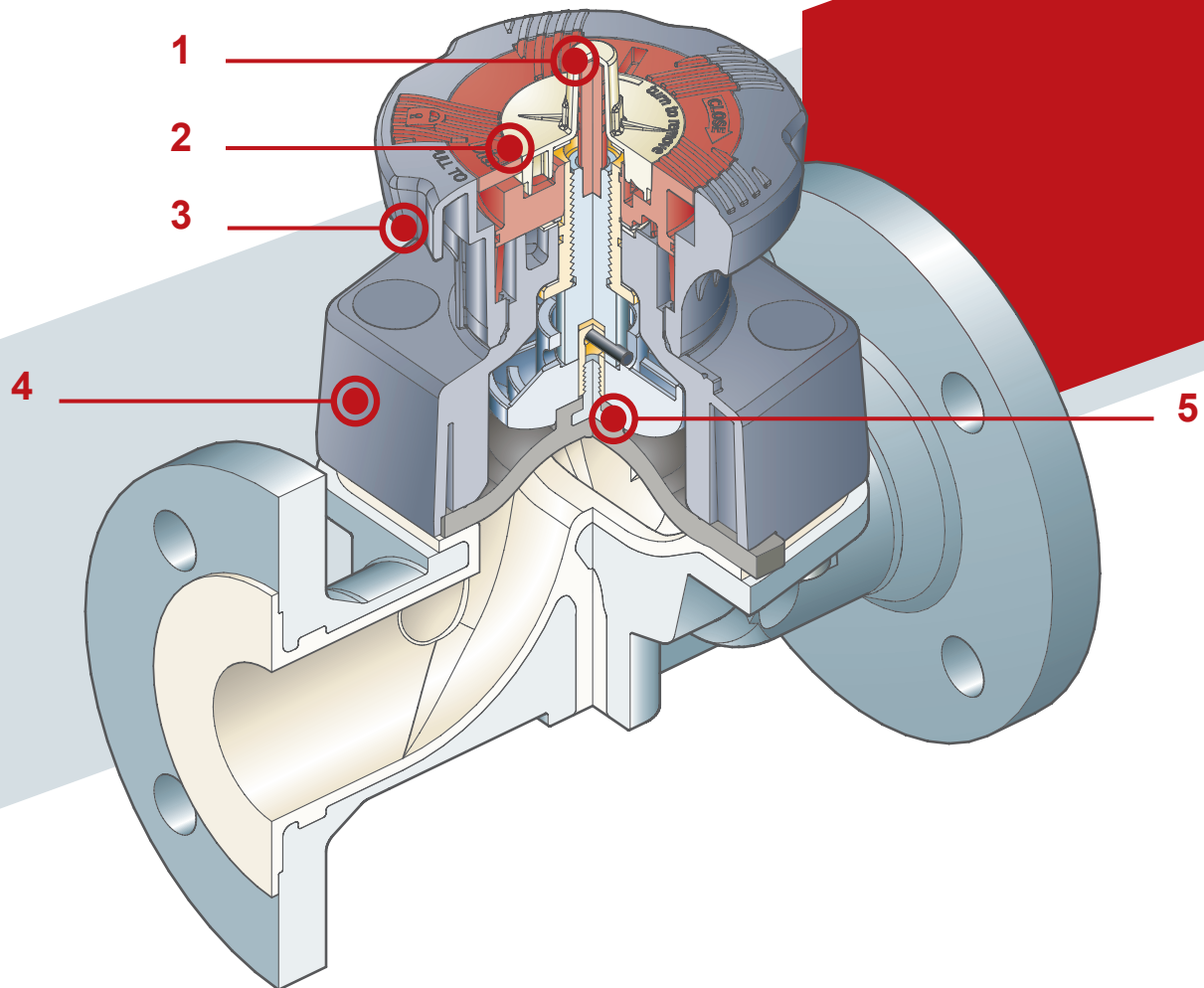
The K_v100 flow coefficient is the Q flow rate of cubic meter per hour of water at a temperature of 20°C that will generate Δp = 1 bar pressure drop at a certain valve position.

The K_v100 values shown in the table are calculated with the valve completely open.

DN	MA	Unlined		Hard rubber lined		Plastic lined	
		Kv m ³ /h	Cv gpm	Kv m ³ /h	Cv gpm	Kv m ³ /h	Cv gpm
15	25	7	8	-	-	5	6
20	25	12	14	10	12	9	11
25	25	14	16	14	16	13	15
32	40	-	-	29	34	23	27
40	40	40	47	32	37	26	30
50	50	78	91	51	60	50	59

Manual Valve

Type 982 DN 15 - 50 (1/2" - 2")



1 High visibility graduated optical position indicator protected by a transparent cap with seal O-Ring

2 Customization plate: the customization lets you identify the valve on the system according to specific needs

3 Locking system: innovative handwheel with a patented immediate and ergonomic operating locking device that allows it to be **adjusted and locked in over 300 positions**

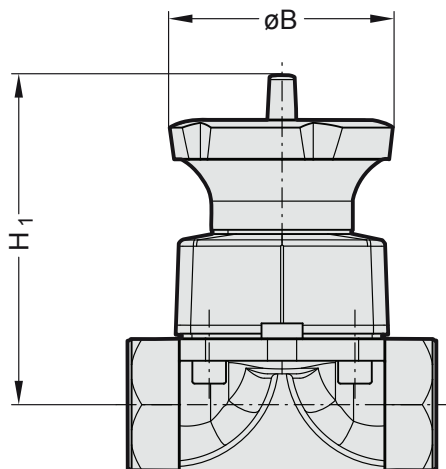
4 Handwheel and bonnet in high mechanical strength and chemically resistant PP-GR, providing full protection by isolating all internal metal parts from contact with external agents

5 Floating pin connection between the control screw and diaphragm to prevent concentrated loads, improve the seal and extend its lifetime

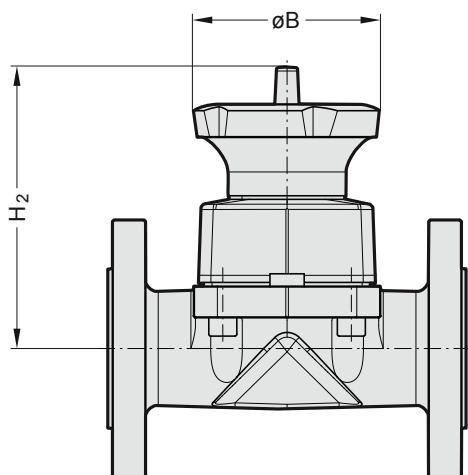
Manual Valve

Type 982 DN 15 - 50 (1/2" - 2")

Threaded Socket



Flanged



Dimensions (mm)

DN	MA	ØB	Threaded socket version		Flanged Version	
			H ₁	Weight kg	H ₂	Weight kg
15	25	100	110	0,77	113	2,5
20	25	100	110	0,81	113	3,3
25	25	100	120	1,03	118	3,8
32	40	140	151	1,54	158	7,0
40	40	140	153	1,78	158	7,0
50	50	140	176	3,1	176	10,0

Note: Valve body face to face (FTF) and flange dimensions see page 8.