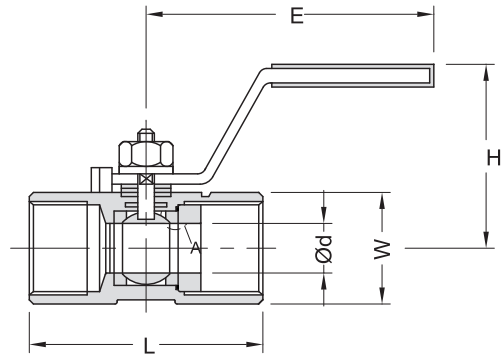
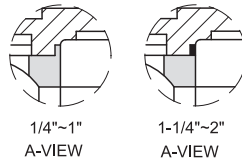


# BALL VALVE - THREADED END



1/4" - 2"

BVFM103-17-R0

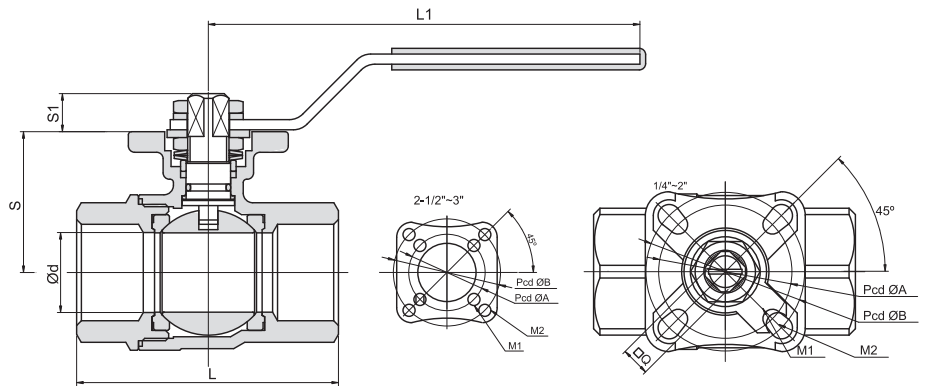
## TYPE FM 103

- 1000PSI/ PN63
- BODY CF8M/ 1.4408, CF8/ 1.4308
- REDUCED PORT
- OPTION: LOCKING DEVICE, OVAL HANDLE, WING HANDLE

### Dimensions

Unit :mm

SIZE	Ød	L	E	H	W	KG
1/4"	5.0	39.0	69.0	35.0	17.0	0.064
3/8"	7.2	44.0	79.0	36.0	21.0	0.104
1/2"	9.2	56.5	109.0	40.0	25.0	0.190
3/4"	12.5	59.0	109.0	42.0	32.0	0.264
1"	15.0	71.0	111.7	47.0	38.0	0.420
1-1/4"	20.0	78.0	111.7	53.0	48.0	0.650
1-1/2"	25.0	83.0	157.0	62.0	53.0	0.840
2"	32.0	100.0	155.5	67.0	64.0	1.330



1/4" - 3"

BVFM201-17-R0

## TYPE FM 201

- FULL PORT, PN63/ 1000PSI
- 2-PC BALL VALVE THREADED
- BODY 1.4408/ CF8M, 1.4308/CF8, 1.0619/ WCB
- OPTION: BARE SHAFT, DIN 3202 M3 LENGTH, LOCKING DEVICE

### Dimensions

Unit :mm

SIZE	Ød	ISO 5211							L	S	S1	L1	TORQUE Kgf-cm	KG
		Pcd	ØA	Pcd	ØB	M1	M2	□Q						
1/4"	11	F03	36	-	-	Ø6.0	-	9.0	49.6	36	10	110	45	0.31
3/8"	12.7	F03	36	-	-	Ø6.0	-	9.0	49.6	36	10	110	45	0.31
1/2"	15	F04	42	-	-	Ø7.0	-	9.0	55	38	10	110	55	0.34
3/4"	20	F04	42	F05	50	R3.0	R3.5	11	75.5	41.7	12	136	90	0.62
1"	25	F04	42	F05	50	R3.0	R3.5	11	82.5	44.4	12	136	110	0.78
1-1/4"	32	F05	50	F07	70	R3.5	R4.5	14	90.8	54	16.5	158	155	1.35
1-1/2"	40	F05	50	F07	70	R3.5	R4.5	14	103	59.5	16.5	203	220	1.91
2"	50	F05	50	F07	70	R3.5	R4.5	14	120	67	16.5	203	330	2.8
2-1/2"	65	F07	70	F10	102	Ø9.0	Ø11	17	155	101.5	24.5	322.5	400	6.98
3"	80	F07	70	F10	102	Ø9.0	Ø11	17	182	112.5	24.5	322.5	660	10.3