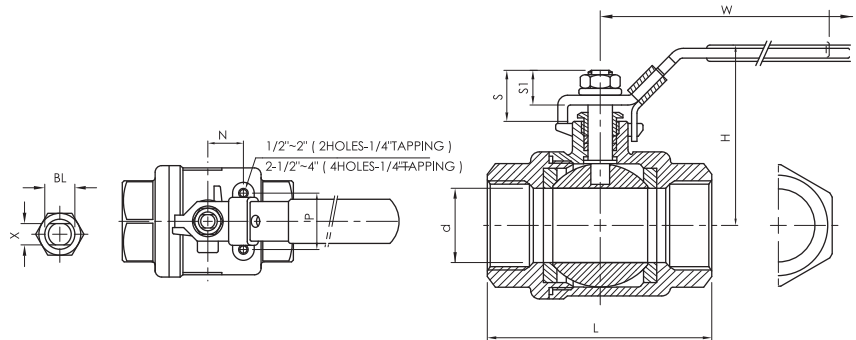


BALL VALVE - THREADED END



1/4" - 4"

BVFM202-17-R0

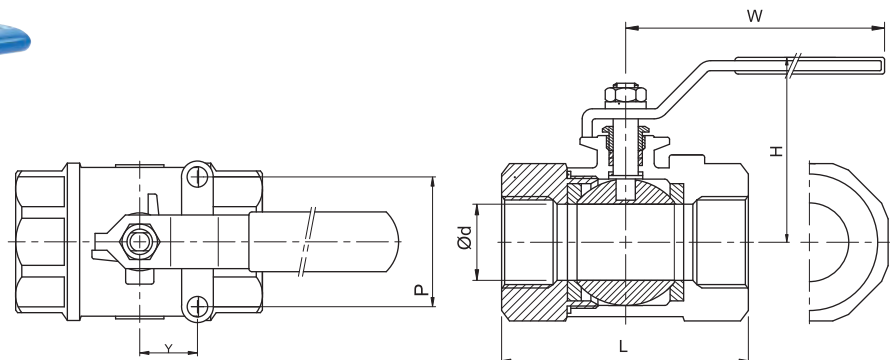
TYPE FM 202

- 1000PSI/ PN63
- BODY CF8M/ 1.4408, CF8/ 1.4308, WCB/ 1.0619
- FULL PORT, MOUNTING PAD
- OPTION:
LOCKING DEVICE,
DRILLED AND TAPPED MOUNTING PAD

Dimensions

Unit :mm

SIZE	d	L	H	W	S	S1	X	N	P	BL	KG
1/4"	11.6	44.5	51	95	16.8	10.2	5	12.5	25	5/16"	0.22
3/8"	12.7	44.5	51	95	16.8	10.2	5	12.5	25	5/16"	0.22
1/2"	15	57	53	95	16.8	10.2	5	12.5	25	5/16"	0.29
3/4"	20	65	59.5	110	21	13.5	6.5	21	24	3/8"	0.42
1"	25	76	73	135	24	16	8	22.5	33.5	7/16"	0.71
1-1/4"	32	87.5	79	135	25	16	8	23.5	38.1	7/16"	1.06
1-1/2"	38	102	90.5	165	26.5	17	9	23.5	38.1	1/2"	1.68
2"	50	123	98.5	165	26.5	17	9	23.5	38.1	1/2"	2.71
2-1/2"	65	156	130.5	215	41.5	29.5	12	35	56	3/4"	5.25
3"	80	184	142.5	215	41.5	29.5	12	35	56	3/4"	8.6
4"	100	250	173.5	325	47.5	36.5	16	50	63	1"	19.32



1/2" - 2"

BVFM203-17-R0

TYPE FM 203 (2000PSI)

- 1/2"-1" 2000PSI/ PN130,
- BODY CF8M/ 1.4408, CF8/ 1.4308, WCB/ 1.0619
- REDUCED PORT
- MOUNTING PAD
- OPTION:
LOCKING DEVICE,
DRILLED AND TAPPED MOUNTING PAD

Dimensions

Unit :mm

SIZE	Ød	L	H	W	P	Y
1/2"	10	59.5	51	93	25	12.5
3/4"	15	60	53	93	25	12.5
1"	20	82.5	59	110	25	21.0
1-1/4"	25	91	65	110	34	22.5
1-1/2"	32	99	77	135	38	23.5
2"	40	120	87	135	38	23.5