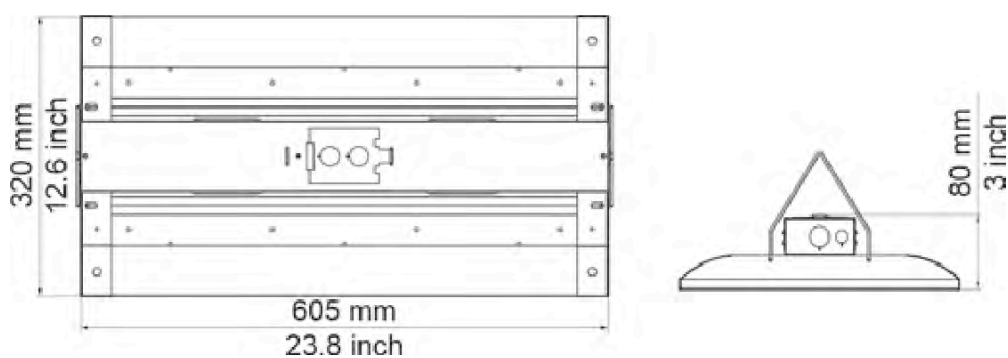


# Linear Highbay Light

ENVIRONMENTALLY FRIENDLY, ENERGY EFFICIENT

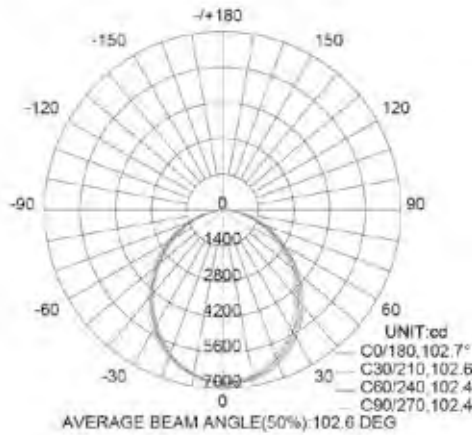


- Input Voltage: 100-277V AC, 50-60Hz
- Mounting: Suspension Mount, Pendant, or Surface Mount (J Box)
- Projected Hours: 50,000 hrs
- Operating Temperature: -20°C to 55°C
- Dimmable: 0-10V DC dimming circuit, dimming as low as 10%
- Warranty: 5 Years



# Linear Highbay Light

ENVIRONMENTALLY FRIENDLY, ENERGY EFFICIENT



## Specification

	65W, 2ft*	90W, 2ft*
AGS Lighting LED Linear Highbay Series:	GL65WSLHBBR5000KUDX	GL90WSLHBBR5000KUDX
Lumens:	9750 lm	13500 lm
CCT:	5000K	5000K
Power Factor:	>0.95	≥0.95
Efficacy:	150 lm/W (without Lens) 130 lm/W (with Lens)	150 lm/W (without Lens) 130 lm/W (with Lens)
CRI:	80	80
THD:	<20%	<20%
Dimensions:	605*320*80mm (23.8"x12.6"x3")	605*320*80mm (23.8"x12.6"x3")
Housing:	Die formed painted steel	Die formed painted steel
Cover/Lens Type:	Frosted PC Cover	Frosted PC Cover

	110W, 2ft*	135W, 2ft*
AGS Lighting LED Linear Highbay Series:	GL110WSLHBBR5000KUDX	GL135WSLHBBR5000KUDX
Lumens:	16500 lm	20250 lm
CCT:	5000K	5000K
Power Factor:	>0.95	≥0.95
Efficacy:	150 lm/W (without Lens) 130 lm/W (with Lens)	150 lm/W (without Lens) 130 lm/W (with Lens)
CRI:	80	80
THD:	<20%	<20%
Dimensions:	605*320*80mm (23.8"x12.6"x3")	605*320*80mm (23.8"x12.6"x3")
Housing:	Die formed painted steel	Die formed painted steel
Cover/Lens Type:	Frosted PC Cover	Frosted PC Cover

\*Special Order Only