

Chapter 8

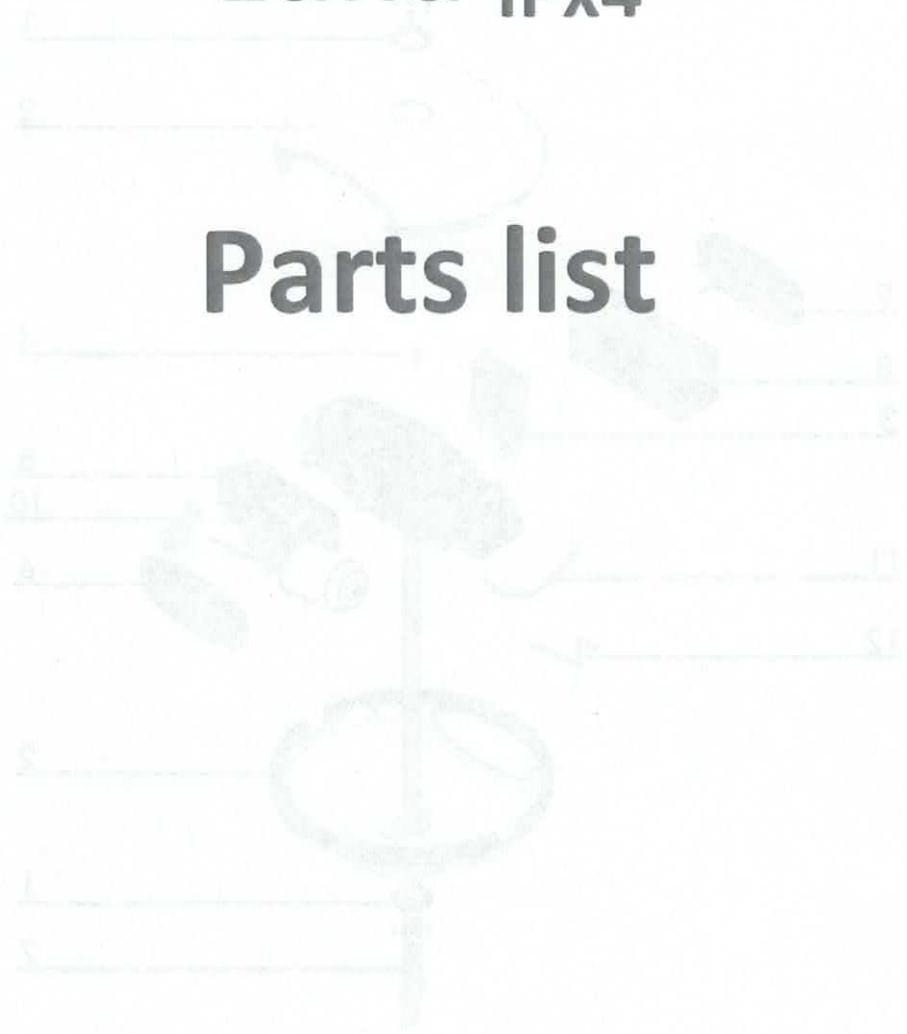
Spare parts list – Luna_{IPx4}

Printboard overview



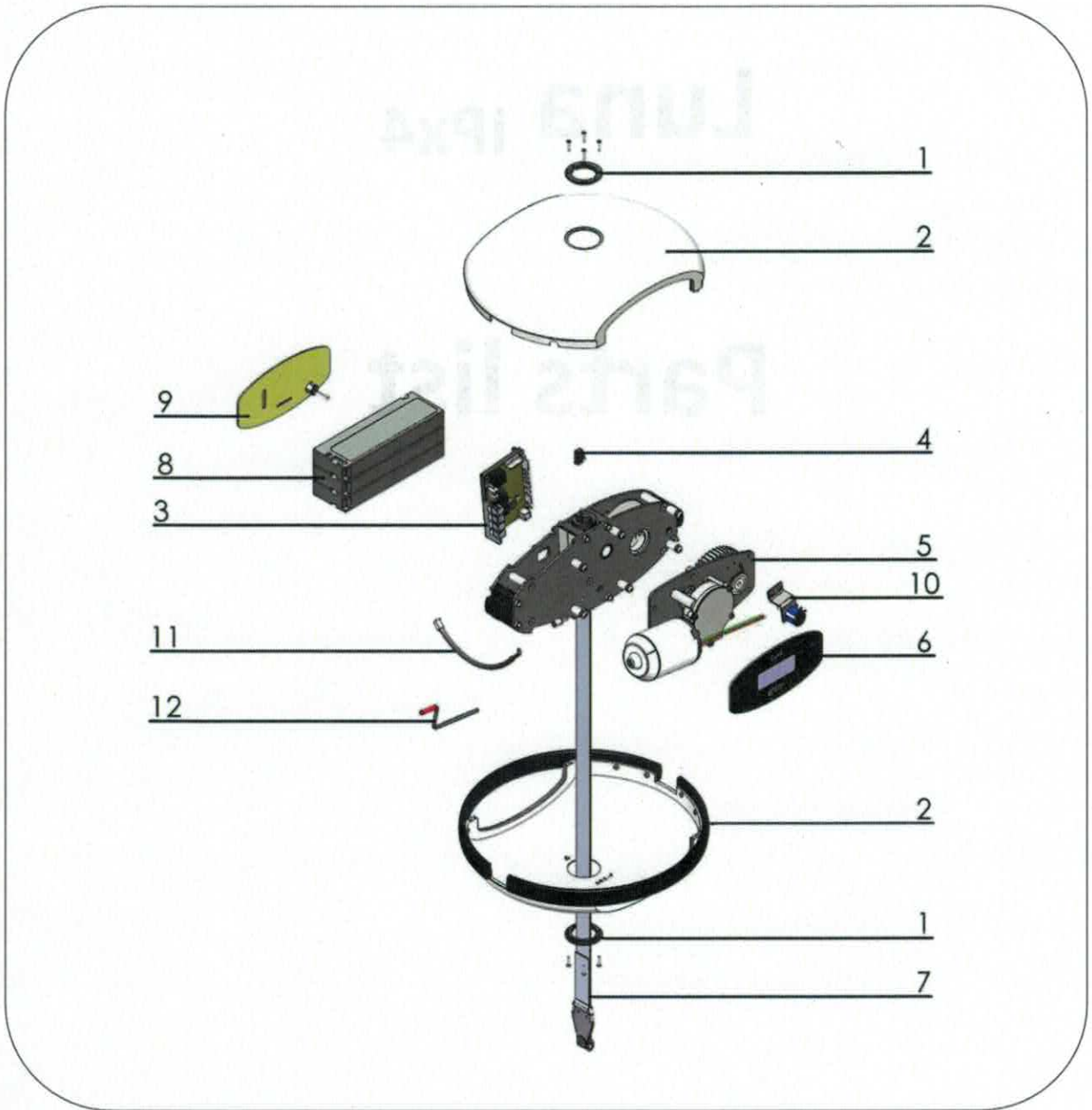
Luna IPx4

Parts list



Spare parts list

Luna IPx4



Spare parts list

Luna IPx4

Pos.	Items no.	Pcs.	Description
1	018-10101	2	Mounting ring with screw
2	018-10102	1x2	Upper and lower shell with handle, white
	018-10105	1x2	Upper and lower shell with handle, grey
3	018-10015	1	Print card, 200 kg, 2 channels <i>Green</i>
	018-10014	1	Print card, 275 kg, 2 channels
	018-10016	1	Print card, 200 kg, 1 channels <i>Nya motor</i>
	018-10017	1	Print card, 275 kg, 1 channels <i>" " "</i>
4	710-60290	1	Micro switch, green
5	018-10020	1	Motor with gear
6	018-10106	1	Side foil
7	710-60135	1	Strap
8	015-02025	1	Battery, 3x12V
9	018-10106 018-10107	1	<i>For vinkelkopplad förskruvning</i> Side foil with connection of hand control
10	018-10030	1	Potentiometer incl. plate and mounting parts
11	018-10109	1	Thermostat
12	018-10104	1	Key for emergency lowering