

Plug Type Duplex Basket Strainer

Model 50

Pipeline
Strainer

Cast
Construction

Permanent
Media

- Sizes 5", 6", 8"
- Iron, bronze, carbon steel or stainless steel
- Flanged



Features

- Continuous flow, no shutdown for basket cleaning
- Rugged tapered plug design
- Lift jack prevents galling of the plug
- Quick open cover—no tools needed
- Large capacity baskets
- Threaded drain
- Machined basket seat
- Perforated or mesh 316 stainless steel basket

Options

- Ductile iron construction
- Basket perforations from 1/32" to 1/2"
- Basket mesh from 20 to 400
- MONEL® baskets
- Vent valves
- Drain valves
- Gauge/vent taps - 1/4" NPT
- Magnetic basket inserts
- Pressure differential gauge and switch connections
- Viton®, PTFE encapsulated or EPDM seals
- Cast iron and stainless steel diverter plug



Trouble-free design, easy operation

The Eaton Model 50 plug type duplex strainer's design is simple and economical. This high-quality strainer is, in fact, a pressure rated plug valve with integral straining baskets.

To switch the flow from one basket to the other, the operating handle moves through a 90-degree arc. Because of the unique port design in the diverter plug, it is impossible for this operation to stop the flow. The entire switching operation takes fewer than 30 seconds, no tools required. Positioning the plug each time in exactly the right spot happens automatically by integral stops.

Before operating the handle, a specially designed, manual lifting jack built into the strainer, lifts the diverter plug

off its seat. After the switching operation, the jack easily reseats the plug, even under high pressures. Because a built-in stop limits the distance the diverter plug rises, it minimizes the possibility of material bypassing the plug while rotated to divert flow. It also prevents debris from building up under the plug and making it difficult to reseal.

Other features

- A quick, easy to open, swing-away yoke design cover goes back on just as fast as it came off
- Standard NPT drain taps simplify the draining of the basket chamber
- All sizes come with mounting legs for bolting the strainer to the floor for a rock solid installation

EATON

Powering Business Worldwide

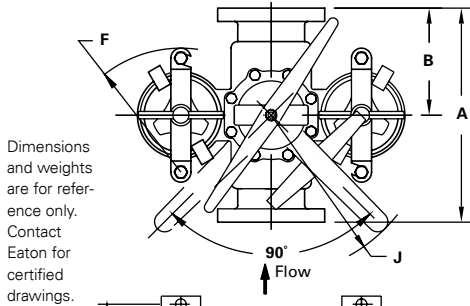
MONEL® is a registered trademark of Special Metals Corporation group of Companies.
Viton® is a registered trademark of E. I. du Pont de Nemours and company.

Model 50 Plug Type Duplex Basket Strainer

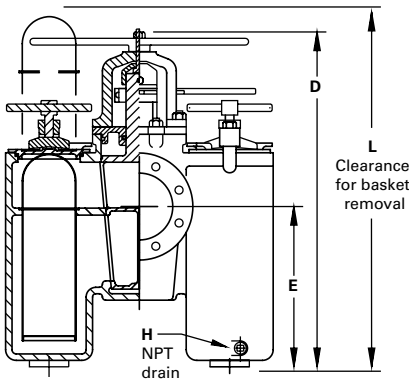
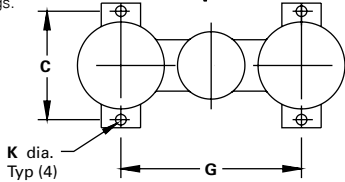
Selection chart

| Size | Body material | Plug material | End connections | Seals |
|------------|-----------------|-----------------|-----------------|---------|
| 5", 6", 8" | Iron | Bronze | Flanged 125# | Buna-N® |
| 5", 6", 8" | Bronze | Bronze | Flanged 150# | Buna-N |
| 6", 8" | Carbon steel | Bronze | Flanged 150# | Buna-N |
| 6", 8" | Stainless steel | Stainless steel | Flanged 150# | Viton |

DIN flanges available on 6" only



Dimensions and weights are for reference only. Contact Eaton for certified drawings.



Rating

| Size | Rating* |
|------|--------------------|
| 5" | 200 psi (13.8 bar) |
| 6" | 200 psi (13.8 bar) |
| 8" | 150 psi (10.3 bar) |

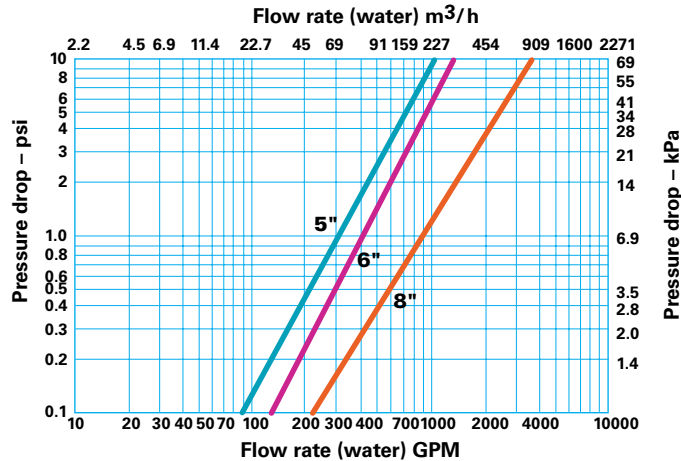
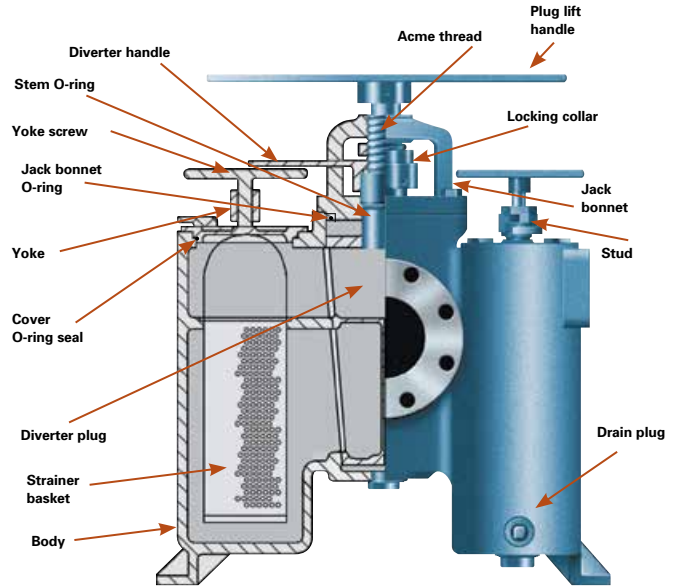
* @ 100 °F (38 °C)

Cv factors*

| Size | Value |
|------|-------|
| 5" | 300 |
| 6" | 420 |
| 8" | 900 |

* For water with clean, perforated basket

Partial cutaway of Model 50 duplex strainer clearly illustrates all major parts—and gives a clear indication of the simplicity of design and ease of maintenance.



Dimensions (in/mm)

| Pipe size | A | B | C | D | E | F | G | H | J | K | L | Weight (lb/kg) | | | |
|-----------|-------|-------|-------|-------|-------|-------|-------|-----|-------|------|-------|----------------|--------|--------------|-----------------|
| | | | | | | | | | | | | Cast iron | Bronze | Carbon steel | Stainless steel |
| 5 | 18.38 | 9.00 | 9.75 | 33.25 | 14.75 | 10.25 | 17.19 | 3/8 | 19.75 | 0.56 | 41.00 | 403 | 412 | — | — |
| | 467 | 229 | 248 | 845 | 375 | 260 | 437 | — | 502 | 14 | 1041 | 183 | 187 | — | — |
| 6 | 22.00 | 12.88 | 12.50 | 36.25 | 19.50 | 11.75 | 20.75 | 3/8 | 19.75 | 0.63 | 42.00 | 500 | 583 | 580 | 615 |
| | 559 | 327 | 318 | 921 | 495 | 298 | 527 | — | 502 | 16 | 1067 | 227 | 264 | 263 | 279 |
| 8 | 25.00 | 14.00 | 17.00 | 50.63 | 23.06 | — | 30.75 | 1/2 | 28.00 | 0.94 | 56.00 | 1500 | 1800 | 1610 | 1670 |
| | 635 | 356 | 432 | 1286 | 586 | — | 781 | — | 711 | 24 | 56 | 682 | 818 | 732 | 759 |

North America
44 Apple Street
Tinton Falls, NJ 07724
Toll Free: 800 656-3344
(North America only)
Tel: +1 732 212-4700

Europe/Africa/Middle East
Auf der Heide 2
53947 Nettersheim, Germany
Tel: +49 2486 809-0

Internormen Product Line
Friedensstraße 41
68804 Altlufsheim, Germany
Tel: +49 6205 2094-0

Begerow Product Line
An den Nahewiesen 24
55450 Langenlonsheim, Germany
Tel: +49 6704 204-0

China
No. 3, Lane 280,
Linhong Road
Changning District, 200335
Shanghai, P.R. China
Tel: +86 21 5200-0099

Singapore
4 Loyang Lane #04-01/02
Singapore 508914
Tel: +65 6825-1668

Brazil
Av. Julia Gaioli, 474 – Bonsucesso
07251-500 – Guarulhos, Brazil
Tel: +55 11 2465-8822

For more information, please
email us at filtration@eaton.com
or visit www.eaton.com/filtration

© 2014 Eaton. All rights reserved. All trademarks and registered trademarks are the property of their respective owners. All information and recommendations appearing in this brochure concerning the use of products described herein are based on tests believed to be reliable. However, it is the user's responsibility to determine the suitability for his own use of such products. Since the actual use by others is beyond our control, no guarantee, expressed or implied, is made by Eaton as to the effects of such use or the results to be obtained. Eaton assumes no liability arising out of the use by others of such products. Nor is the information herein to be construed as absolutely complete, since additional information may be necessary or desirable when particular or exceptional conditions or circumstances exist or because of applicable laws or government regulations.

US
EF-SSEA-12
6-2014