

Granite Composite

Premium Granite Composite
Dual-mount Kitchen Sink

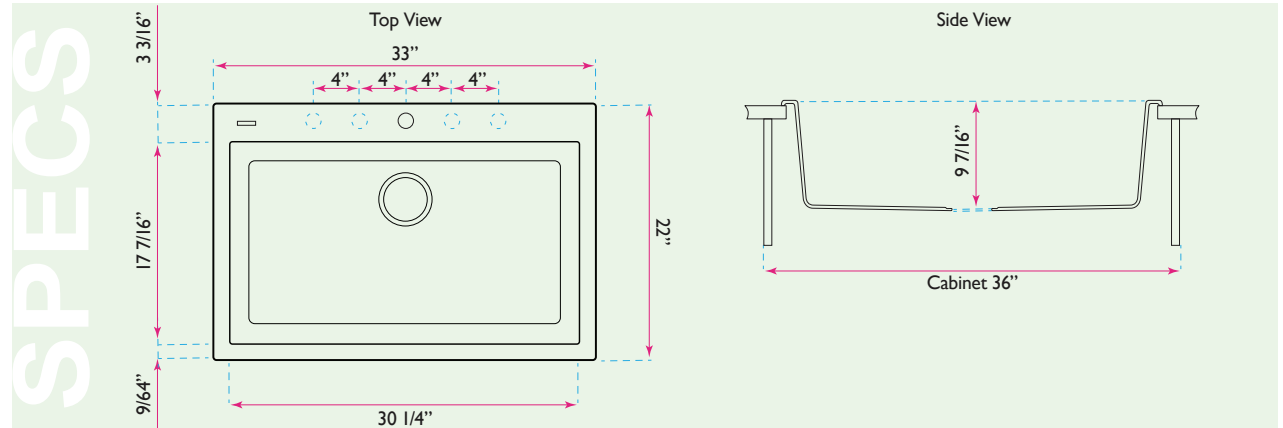
model:

PR3322-DM-BL



Nantucket
S I N K S

www.NantucketSinksUSA.com
info@nantucketsinksusa.com



OVERALL DIMENSIONS	INTERIOR DIMENSIONS	BOWL DEPTH	HEIGHT	DRAIN DIMENSIONS
33" x 22"	30.25" x 17.4375"	9.4375"	11"	3.5" Opening

FEATURES:

- Premium Granite Composite Kitchen Sink
- 80% Stone / 20% Resin
- Scratch resistant/Heat resistant to 560° degrees
- Hygienic non-porous surface
- Drain is not included
- Designed and made in Italy
- Dual-mount design may be topmounted or undermounted
- Limited Manufacturer's Warranty

Project Name: _____

Architect / Contractor: _____

Job Notes: _____
