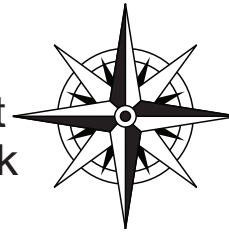


Pro Series Collection

32 Inch Large Rectangle Single Bowl Undermount
Small Radius Corners Stainless Steel Kitchen Sink



Nantucket

SINKS

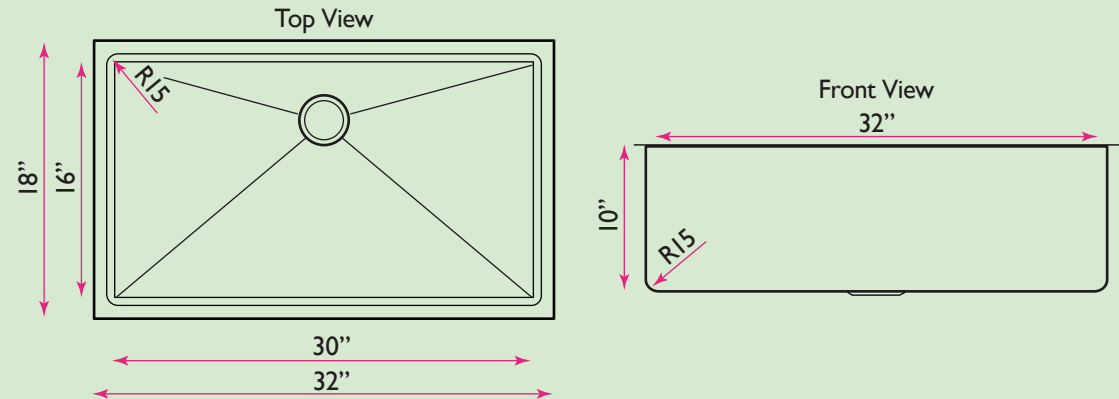
model:

SR3218-16

www.NantucketSinksUSA.com
info@nantucketsinksusa.com



SPECS



OVERALL DIMENSIONS	INTERIOR BOWL	BOWL DEPTH	BOTTOM GRID(S)	DRAIN DIMENSIONS
32" x 18"	30" x 16"	10"	BG3218-C	3.5" Opening

FEATURES:

- Premium 304, 16 gauge stainless steel kitchen sink
- Colander drain and grid included (Lux accessory pkg.)
- Brushed satin finish
- Limited lifetime manufacturer's warranty
- Insulated to reduce condensation
- Rubber padding is applied for noise reduction
- Fits 33" cabinet base minimum
- Template included

Project Name: _____

Architect / Contractor: _____

Job Notes: _____
