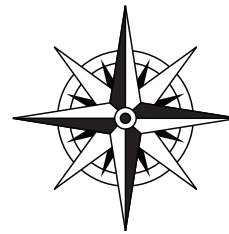


Brightwork Collection

Hammered Stainless Steel Rectangle
Undermount or Overmount Bar Sink

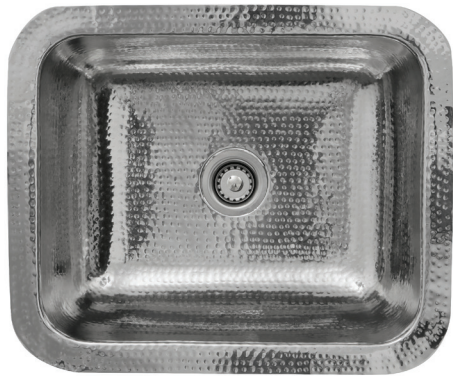
model:
RES



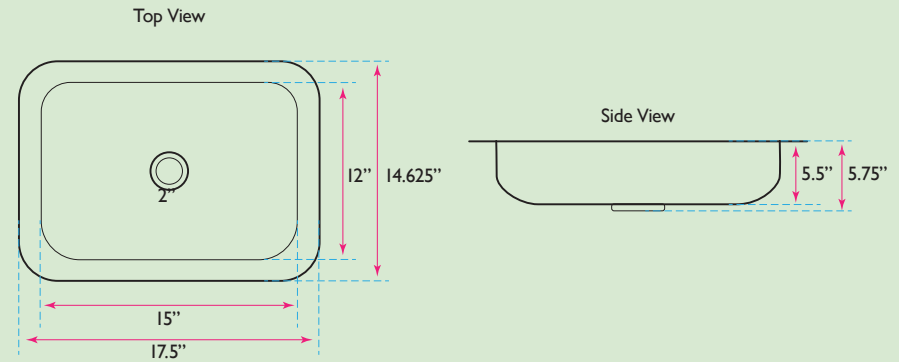
Nantucket

S I N K S

www.NantucketSinksUSA.com
info@nantucketsinksusa.com



SPECS



OVERALL DIMENSIONS	INTERIOR BOWL	EXTERIOR HEIGHT	INTERIOR BOWL DEPTH	DRAIN OPENING
17.5" x 14.625"	15" x 12"	5.75"	5.5"	2" Opening

FEATURES:

- Premium Stainless Steel bar / prep sink
- Hand hammered, individual variations will exist
- Interior damp
- No overflow
- 18 Gauge
- Limited manufacturer's warranty
- Special care & maintenance required
- Nominal dimensions - actual may vary up to .25"
- Fits a 20" cabinet base minimum
- Professional installation recommended

Project Name: _____

Architect / Contractor: _____

Job Notes: _____
