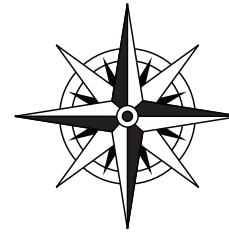


Brightwork Collection

Hammered Brass Square Undermount or Overmount Bar / Prep Sink

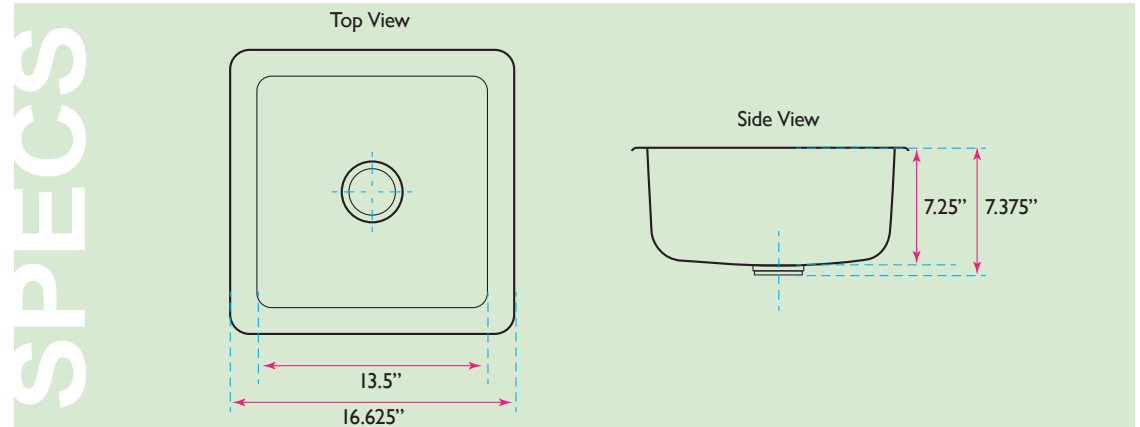
model:
SQRB-7



Nantucket

S I N K S

www.NantucketSinksUSA.com
info@nantucketsinksusa.com



OVERALL DIMENSIONS	INTERIOR BOWL	BOWL DEPTH	DRAIN OPENING	OVERFLOW
16.625" Square	13.5" Square	7.375"(ext.); 7.25"(int.)	3.5" Opening	NO

FEATURES:

- Premium solid brass construction bar sink
- Hand hammered, individual variations will exist
- No overflow
- 16 Gauge
- Unlacquered brass - Patina is possible right away if not waxed immediately
- Limited manufacturer's warranty
- Special care & maintenance required
- Nominal dimensions - actual may vary up to .25"
- Professional installation recommended

Project Name: _____

Architect / Contractor: _____

Job Notes: _____
