

Great Point Collection

Premium Ceramic Vitreous China Sink
With Overflow

model:

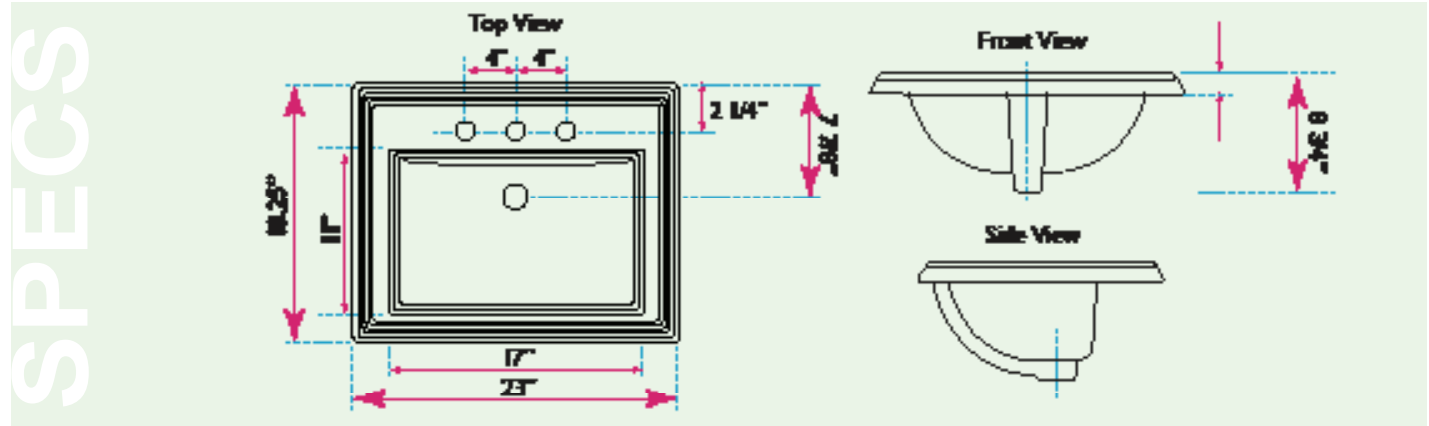
DI-2418-R8



Nantucket

S I N K S

www.NantucketSinksUSA.com
info@nantucketsinksusa.com

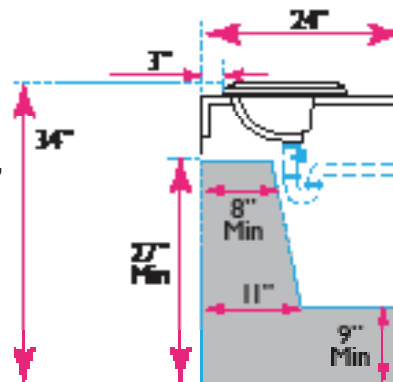


OVERALL DIMENSIONS	INTERIOR DIMENSIONS	EXTERIOR HEIGHT	INTERIOR DEPTH	DRAIN DIMENSION
23" x 18.25"	17" x 11"	8.75"	5.25"	1.75" Standard

FEATURES:

- Vitreous China, Self Rimming Top Mount Sink
- 5.25" Interior Bowl Depth
- Glazed Enamel Finish
- Limited Manufacturer's Warranty
- 1.75" Drain Opening
- Cutout Template Provided
- Nominal Dimensions, Actual May Vary By Up to .25"
- 3 Faucet Holes (1.375" Diameter Each/8" Spread)
- Certifications: ASME A112.19.2-3013, cUPC

**DISCLAIMER*: Please be advised to check your template before cutting. Make sure you have the sink(s) on hand for reference. Nantucket Sinks is not responsible for any errors in the fabrication process.*



Project Name: _____

Architect / Contractor: _____

Job Notes: _____
