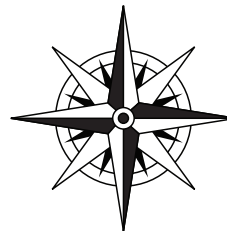


# Brightwork Collection

Hammered Stainless Steel Square Undermount or Overmount Bar / Prep Sink



# Nantucket

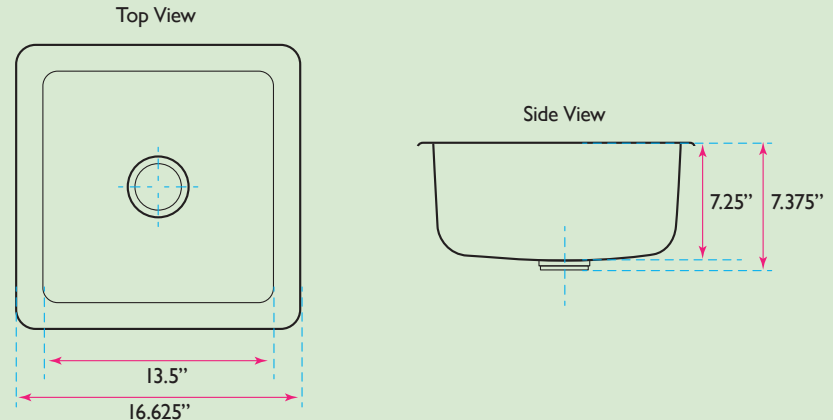
S I N K S

model:  
**SQRS-7**

www.NantucketSinksUSA.com  
info@nantucketsinksusa.com



SPECS



OVERALL DIMENSIONS	INTERIOR BOWL	BOWL DEPTH	DRAIN OPENING	OVERFLOW
16.5" Square	13.5" Square	7.375"(ext.); 7.25"(int.)	3.5" Opening	NO

## FEATURES:

- Premium stainless construction bar sink
- Hand hammered, individual variations will exist
- No overflow
- 18 Gauge
- Interior Damp
- Limited manufacturer's warranty
- Special care & maintenance required
- Nominal dimensions - actual may vary up to .25"
- Fits an 18" cabinet base minimum
- Professional installation recommended

Project Name: \_\_\_\_\_

Architect / Contractor: \_\_\_\_\_

Job Notes: \_\_\_\_\_

\_\_\_\_\_

\_\_\_\_\_