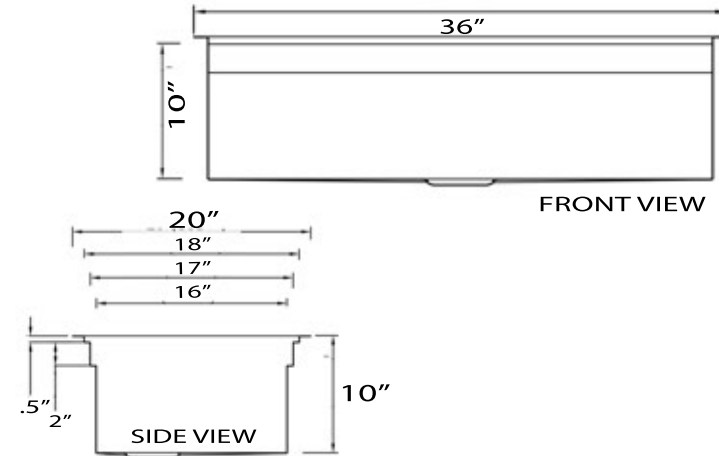
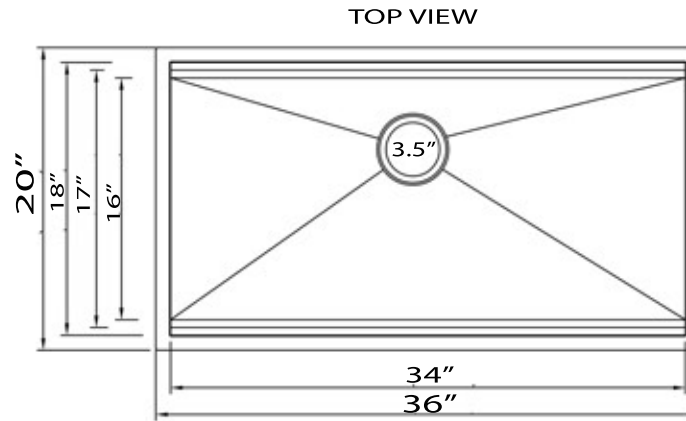


Pro Series Collection
 Premium Stainless Steel
 Zero Radius Pro Undermount Kitchen Sink



MODEL:
ZR-PS-3620-16



Overall Dimensions	Interior Bowl	Interior Ledge Dimensions	Rinse Tray (included)	Bottom Grid
36" x 20" x 10"	34" x 16" At bottom /basin	34" x 17" 34" x 18"	17" x 18" x 5"	Included

FEATURES

- Premium 304, 16 gauge Stainless Steel Kitchen Sink
- Colander Included, fits 16" ledge
- Rinse Tray fits 18" & 17" ledge vertically/horizontally
- Rinse Tray, Colander, Colander Drain and Grid Included
- 10" Bowl Depth
- Brushed Satin Finish
- Limited Lifetime Manufacturers Warranty
- Insulated to Reduce Condensation
- Rubber Padding is Applied for Noise Reduction



PROJECT/ NAME:

ARCHITECT/CONTRACTOR:

MODEL:

JOB NOTES:

