

STRATTON PENDANT

PRODUCT FEATURES

- On-trend industrial yet modern elegant design
- Italian made large-scale, hand-blown glass shade
- Available in two distinct sizes, large and small
- Fully dimmable LED lamping options or Halogen lamping to create the desired ambiance
- Ships with an integrated LED lamp saving you time and money
- Protected by a 5-year warranty



LAMPING

Large rated for (1) 60 watt max, E26 medium based lamp (Lamp Not Included). LED includes 22 watt, 500 delivered lumens, 2700K or 3000K field replaceable LED module. Small rated for (1) 60 watt max, E26 medium based lamp (Lamp Not Included). LED includes 15 watt 260 delivered lumens, 2700K or 3000K field replaceable LED module. Dimmable with low-voltage electronic dimmer. Fixture provided six feet of field-cuttable cloth cord to match finish selection.

Smoke / Gray
Small



Clear / Black
Large

Clear / Gray
Small

Smoke / Black
Large

Smoke / Gray
Small

ORDERING INFORMATION

700	SYSTEM	STNP	SHAPE OR SIZE	COLOR	FINISH	LAMP
	TD LINE-VOLTAGE PENDANTS/SUSPENSION		L LARGE	K SMOKE	B BLACK	-LED30-277 LED 80 CRI 3000K 277V

700 _____ STNP _____

JOB NAME _____

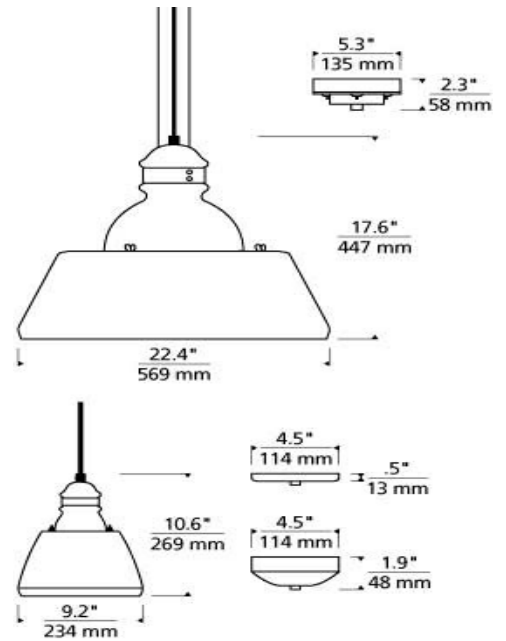
NOTES _____



STRATTON PENDANT

SPECIFICATIONS

HARDWARE MATERIAL	Metal
SHADE MATERIAL	Glass
NET WEIGHT	13.80 lbs
HEIGHT	17.6in
WIDTH	22.4in
LENGTH	22.4in
UP LIGHT / DOWN LIGHT / BOTH?	
WET LISTED	
DAMP LISTED	Yes
DRY LISTED	
MIN. HANGING HEIGHT	
MAX HANGING HEIGHT	
TOTAL CORD LENGTH	72in
TOTAL STEM LENGTH	
STEM QTY	
SLOPED CEILING ADAPTABLE?	No
GENERAL LISTING	ETL Listed
INCLUDES	



LAMPING SPECIFICATIONS

	LED LAMP	INTEGRATED LED	NON LED	NO LAMP
DELIVERED LUMENS				
WATTS		22		
MAX WATTAGE PER BULB		22W		
INPUT VOLTAGE		277V		
DIMMING TYPE*				
CCT				
CRI				
LED LIFETIME				
L70				
AVERAGE BULB HOURS				
FIELD SERVICEABLE LED				
LAMP BASE				
LAMP SHAPE				
LAMP INCLUDED?		Y		
WARRANTY**		5 Years		

*Dimming information available at www.techlighting.com/Downloads#dimming
 ** Visit techlighting.com for specific warranty limitations and details.

T20 / T24 INFORMATION

	Integrated LED	Replacement LED Lamp	No Lamp *
This product can be used to comply with California Building Energy Efficiency Standards 2016 Title 24 Part 6.			
This product can be used to comply with California Appliance Efficiency Standards 2016 Title 20 and may be shipped to and sold in California.			

* If a light fixture or component does not include a lamp or light source, it is the responsibility of the customer to select a lamp that meets the T24 and T20 requirements.

