

PRODUCT FEATURES

- Ultra-thin modern bath bar for a crisp and clean look
- Edge-lit LED light guide technology gives the appearance of light coming from thin air
- Unique wedge profile provides outward and downward light wash
- Fully dimmable integrated LED lamp
- Available in two on-trend finish Chrome and Satin Nickel
- 5 year warranty with LED lamping option, visit techlighting.com for more warranty details



LAMPING

Includes 24 watt, 948 delivered lumen, 3000K LED module. Dimmable with low-voltage electronic dimmer.

Chrome



Chrome

Satin Nickel

ORDERING INFORMATION

700BCCAST LENGTH (A)	FINISH	LAMP
36 36"	C CHROME S SATIN NICKEL	-LED930 LED 90 CRI 3000K 120V

700BCCAST _____

JOB NAME _____

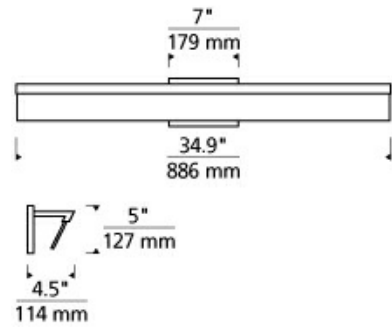
NOTES _____



CAST 36 BATH

SPECIFICATIONS

HARDWARE MATERIAL	Metal
SHADE MATERIAL	Metal
NET WEIGHT	4.0 lbs
HEIGHT	5in
WIDTH	4.5in
LENGTH	34.9in
WET LISTED	
DAMP LISTED	Yes
DRY LISTED	
SLOPED CEILING ADAPTABLE?	No
GENERAL LISTING	ETL Listed
INCLUDES	



LAMPING SPECIFICATIONS

	LED LAMP	INTEGRATED LED	NON LED	NO LAMP
DELIVERED LUMENS	948			
WATTS	24			
MAX WATTAGE PER BULB	24W			
INPUT VOLTAGE	120V			
DIMMING TYPE*	ELV			
CCT	3000K			
CRI	90 CRI			
LED LIFETIME				
L70				
AVERAGE BULB HOURS	30000			
FIELD SERVICEABLE LED				
LAMP BASE	Integrated LED			
LAMP SHAPE	Integrated LED			
LAMP INCLUDED?	Y			
WARRANTY**	5 Years			

*Dimming information available at www.techlighting.com/Downloads#dimming

** Visit techlighting.com for specific warranty limitations and details.

T20 / T24 INFORMATION

	Integrated LED	Replacement LED Lamp	No Lamp *
This product can be used to comply with California Building Energy Efficiency Standards 2016 Title 24 Part 6.			
This product can be used to comply with California Appliance Efficiency Standards 2016 Title 20 and may be shipped to and sold in California.			

* If a light fixture or component does not include a lamp or light source, it is the responsibility of the customer to select a lamp that meets the T24 and T20 requirements.

