

MASQUE GRANDE PENDANT

PRODUCT FEATURES

- Two finish options with three interchangeable lower trim options for maximum design flexibility
- Complementary Exo LED pendant light fixtures also available from Tech Lighting
- Performance-minded, specification grade beam spread options and tool-free aiming
- Fully dimmable LED lamping options to create the desired ambiance
- High quality, long-lasting integrated LED lamping included to save you time and money
- Protected by a 5-year warranty



LAMPING

Includes 22 watt, 1347 net lumen, 3000K, field replaceable LED module. Fixture provided with integrated ball joint to accommodate up to 45° slope. The height of the fixture is customizable with three interchangeable threaded down rods included, one 6", one 12" and two 24". Dimmable with most LED compatible ELV and TRIAC dimmers. 277V compatible with 0-10V dimmers.

Smoke / Black



Smoke / Black

ORDERING INFORMATION

| 700 | SYSTEM | MSQGP | COLOR | FINISH | LAMP |
|-----|-------------------------------------|-------|---------------------------------|--------------------------------------|---|
| | TD LINE-VOLTAGE PENDANTS/SUSPENSION | | KB SMOKE/BLACK KY SMOKE/GRAY | B BLACK S SATIN NICKEL W WHITE | -LED LED 80 CRI 3000K 120V -LED277 LED 80 CRI 3000K 277V |

700 _____ MSQGP _____

JOB NAME _____

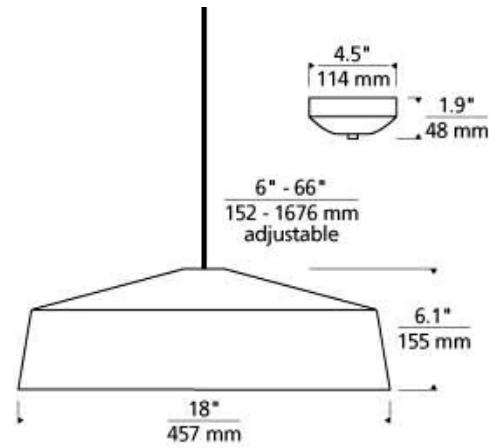
NOTES _____



MASQUE GRANDE PENDANT

SPECIFICATIONS

| | |
|-------------------------------|------------|
| HARDWARE MATERIAL | Metal |
| SHADE MATERIAL | Glass |
| NET WEIGHT | 13.5 lbs |
| HEIGHT | 6.1in |
| WIDTH | 18in |
| LENGTH | 18in |
| UP LIGHT / DOWN LIGHT / BOTH? | |
| WET LISTED | |
| DAMP LISTED | Yes |
| DRY LISTED | |
| MIN. HANGING HEIGHT | 14in |
| MAX HANGING HEIGHT | 74in |
| TOTAL CORD LENGTH | |
| TOTAL STEM LENGTH | Up to 66in |
| STEM QTY | 4 |
| SLOPED CEILING ADAPTABLE? | Yes |
| GENERAL LISTING | ETL Listed |
| INCLUDES | |



LAMPING SPECIFICATIONS

| | LED LAMP | INTEGRATED LED | NON LED | NO LAMP |
|-----------------------|----------|---|---------|---------|
| DELIVERED LUMENS | | 1350 | | |
| WATTS | | 22 | | |
| MAX WATTAGE PER BULB | | 22W | | |
| INPUT VOLTAGE | | 120V 277V | | |
| DIMMING TYPE* | | Smoke/Black : ELV, TRIAC Smoke/Black : 0-10V Smoke/Gray : ELV | | |
| CCT | | 3000K | | |
| CRI | | 80 CRI | | |
| LED LIFETIME | | | | |
| L70 | | | | |
| AVERAGE BULB HOURS | | 50000 | | |
| FIELD SERVICEABLE LED | | | | |
| LAMP BASE | | Integrated LED | | |
| LAMP SHAPE | | Integrated LED | | |
| LAMP INCLUDED? | | Y | | |
| WARRANTY** | | 5 Years | | |

*Dimming information available at www.techlighting.com/Downloads#dimming

** Visit techlighting.com for specific warranty limitations and details.

T20 / T24 INFORMATION

| | Integrated LED | Replacement LED Lamp | No Lamp * |
|---|----------------|----------------------|-----------|
| This product can be used to comply with California Building Energy Efficiency Standards 2016 Title 24 Part 6. | | | |
| This product can be used to comply with California Appliance Efficiency Standards 2016 Title 20 and may be shipped to and sold in California. | | | |

* If a light fixture or component does not include a lamp or light source, it is the responsibility of the customer to select a lamp that meets the T24 and T20 requirements.

