

# DOBSON LINEAR SUSPENSION

## PRODUCT FEATURES

- Features an angular, metal shade that houses a powerful LED lamping source
- Available in a wide variety of colors and finishes for optimal customization
- Ideal for dining room lighting, home office lighting and foyer lighting
- Ships with an energy efficient integrated LED lamp
- Fully dimmable integrated LED lamping creates the desired ambiance
- Protected by a 5-year warranty



## LAMPING

Includes 23 watt, 1200 delivered lumen, 3000K LED module. Ships with twelve feet of field-cuttable cable. Dimmable with low-voltage electronic dimmer.

Satin Nickel



Satin Nickel

## ORDERING INFORMATION

700LSDBS	FINISH	LAMP
	S SATIN NICKEL	-LED930 LED 90 CRI 3000K 120V
	A WHITE ASH	-LED930-277 LED 90 CRI 3000K 277V

700LSDBS \_\_\_\_\_

JOB NAME \_\_\_\_\_

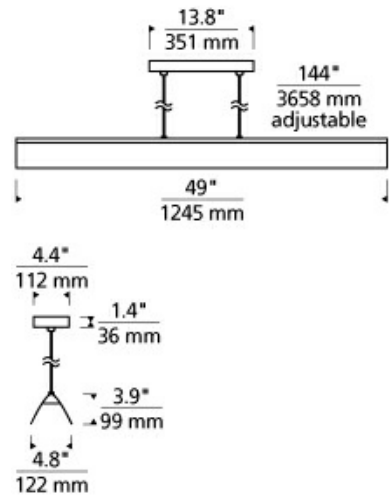
NOTES \_\_\_\_\_



# DOBSON LINEAR SUSPENSION

## SPECIFICATIONS

HARDWARE MATERIAL	Metal
SHADE MATERIAL	
NET WEIGHT	7.5 lbs
HEIGHT	3.9in
WIDTH	4.8in
LENGTH	49in
UP LIGHT / DOWN LIGHT / BOTH?	
WET LISTED	
DAMP LISTED	Yes
DRY LISTED	
MIN. HANGING HEIGHT	
MAX HANGING HEIGHT	144in
TOTAL CORD LENGTH	12in
TOTAL STEM LENGTH	
STEM QTY	
SLOPED CEILING ADAPTABLE?	Yes
GENERAL LISTING	ETL Listed
INCLUDES	



## LAMPING SPECIFICATIONS

	LED LAMP	INTEGRATED LED	NON LED	NO LAMP
DELIVERED LUMENS		1200		
WATTS		23		
MAX WATTAGE PER BULB		23W		
INPUT VOLTAGE		120V 277V		
DIMMING TYPE*		ELV		
CCT		3000K		
CRI		90 CRI		
LED LIFETIME				
L70				
AVERAGE BULB HOURS		30000		
FIELD SERVICEABLE LED				
LAMP BASE		Integrated LED		
LAMP SHAPE		Integrated LED		
LAMP INCLUDED?		Y		
WARRANTY**		5 Years		

\* Dimming information available at [www.techlighting.com/Downloads#dimming](http://www.techlighting.com/Downloads#dimming)

\*\* Visit [techlighting.com](http://techlighting.com) for specific warranty limitations and details.

## T20 / T24 INFORMATION

	Integrated LED	Replacement LED Lamp	No Lamp *
This product can be used to comply with California Building Energy Efficiency Standards 2016 <b>Title 24</b> Part 6.			
This product can be used to comply with California Appliance Efficiency Standards 2016 <b>Title 20</b> and may be shipped to and sold in California.			

\* If a light fixture or component does not include a lamp or light source, it is the responsibility of the customer to select a lamp that meets the T24 and T20 requirements.

