

# QUATNIK PENDANT

## PRODUCT FEATURES

- High-tech urban loft style exposed bulb aesthetic
- Geometrically balanced arms make for a visually striking fixture
- Compatible with an Archipelago T14 lamp
- Complementary Duomo, Palla and Cuneo transparent shades also available by Tech Lighting
- Ideal for kitchen island task lighting, dining rooms and family rooms
- 5 year warranty with no lamping option. 5 year warranty with LED lamping option, visit [techlighting.com](http://techlighting.com) for more warranty details



Satin Nickel

## LAMPING

No Lamp rated for (4) 5 watt max. E12 candelabra base lamps (Not Included). LED version includes (4) 120 volt 2 watt, 160 delivered lumen (640 total delivered lumen), 2700K, E12 base LED vintage tubular lamps. Dimmable with LED compatible or triac dimmer. Aged Brass ships with 6 feet field-cuttable black cloth cord. Satin Nickel ships with 6 feet field-cuttable gray cloth cord.



Aged Brass

Satin Nickel

## ORDERING INFORMATION

700	SYSTEM	QTKP	FINISH	LAMP
	TD LINE-VOLTAGE PENDANTS/SUSPENSION		R AGED BRASS S SATIN NICKEL	NO LAMP

700 \_\_\_\_\_ QTKP \_\_\_\_\_

JOB NAME \_\_\_\_\_

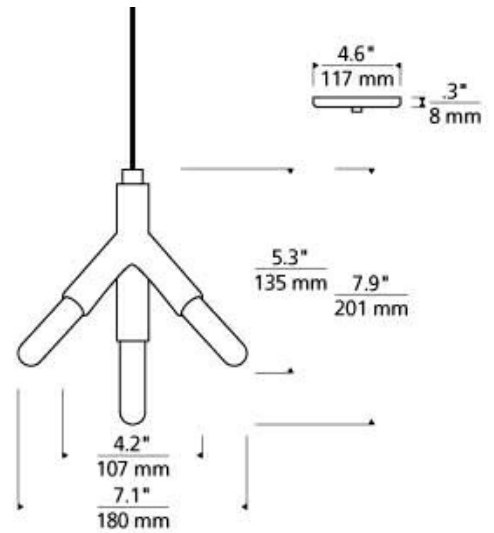
NOTES \_\_\_\_\_  
 \_\_\_\_\_  
 \_\_\_\_\_



# QUATNIK PENDANT

## SPECIFICATIONS

HARDWARE MATERIAL	Metal
SHADE MATERIAL	Metal
NET WEIGHT	1 lbs
HEIGHT	5.3in
WIDTH	4.2in
LENGTH	4.2in
UP LIGHT / DOWN LIGHT / BOTH?	
WET LISTED	
DAMP LISTED	Yes
DRY LISTED	
MIN. HANGING HEIGHT	17.3in
MAX HANGING HEIGHT	79in
TOTAL CORD LENGTH	72in
TOTAL STEM LENGTH	
STEM QTY	
SLOPED CEILING ADAPTABLE?	No
GENERAL LISTING	ETL Listed
INCLUDES	



## LAMPING SPECIFICATIONS

	LED LAMP	INTEGRATED LED	NON LED	NO LAMP
DELIVERED LUMENS				
WATTS				
MAX WATTAGE PER BULB				5W
INPUT VOLTAGE				120V
DIMMING TYPE*				Triac
CCT				Not Applicable
CRI				
LED LIFETIME				
L70				
AVERAGE BULB HOURS				
FIELD SERVICEABLE LED				
LAMP BASE				E12 Candelabra Base
LAMP SHAPE				
LAMP INCLUDED?				N
WARRANTY**				1 Year

\* Dimming information available at [www.techlighting.com/Downloads#dimming](http://www.techlighting.com/Downloads#dimming)

\*\* Visit [techlighting.com](http://techlighting.com) for specific warranty limitations and details.

## T20 / T24 INFORMATION

	Integrated LED	Replacement LED Lamp	No Lamp *
This product can be used to comply with California Building Energy Efficiency Standards 2016 Title 24 Part 6.			
This product can be used to comply with California Appliance Efficiency Standards 2016 Title 20 and may be shipped to and sold in California.			

\* If a light fixture or component does not include a lamp or light source, it is the responsibility of the customer to select a lamp that meets the T24 and T20 requirements.

