

# JORN LINEAR SUSPENSION

## PRODUCT FEATURES

- Sharp and edgy design style create a daring and structured light sculpture
- Available in two contemporary finishes, sleek Rubberized Black and Satin Nickel
- Ideal for residential and commercial lighting applications
- Ships with an energy efficient integrated LED lamp
- Fully dimmable integrated LED lamping creates the desired ambiance
- Protected by a 5-year warranty



## LAMPING

47 watts of LED face up towards the matte white inner metal shade providing a glare free wash of indirect light (2350 lumens, 3000K). Ships with twelve feet of field-cuttable cable. Dimmable with low-voltage electronic dimmer.

Satin Nickel



Satin Nickel

## ORDERING INFORMATION

### 700LSJORN FINISH

S SATIN NICKEL

### LAMP

-LED LED 80 CRI 3000V 120V

700LSJORN \_\_\_\_\_

JOB NAME \_\_\_\_\_

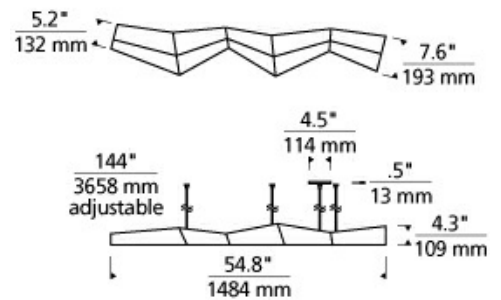
NOTES \_\_\_\_\_



# JORN LINEAR SUSPENSION

## SPECIFICATIONS

HARDWARE MATERIAL	Metal
SHADE MATERIAL	
NET WEIGHT	8 lbs
HEIGHT	4.3in
WIDTH	7.6in
LENGTH	54.8in
UP LIGHT / DOWN LIGHT / BOTH?	
WET LISTED	
DAMP LISTED	
DRY LISTED	
MIN. HANGING HEIGHT	
MAX HANGING HEIGHT	
TOTAL CORD LENGTH	
TOTAL STEM LENGTH	
STEM QTY	
SLOPED CEILING ADAPTABLE?	No
GENERAL LISTING	ETL Listed
INCLUDES	



## LAMPING SPECIFICATIONS

	LED LAMP	INTEGRATED LED	NON LED	NO LAMP
DELIVERED LUMENS		2350		
WATTS		47		
MAX WATTAGE PER BULB		47W		
INPUT VOLTAGE		120V		
DIMMING TYPE*		ELV		
CCT		3000K		
CRI		80 CRI		
LED LIFETIME				
L70				
AVERAGE BULB HOURS		30000		
FIELD SERVICEABLE LED				
LAMP BASE		Integrated LED		
LAMP SHAPE		Integrated LED		
LAMP INCLUDED?		Y		
WARRANTY**		5 Years		

\*Dimming information available at [www.techlighting.com/Downloads#dimming](http://www.techlighting.com/Downloads#dimming)

\*\* Visit [techlighting.com](http://techlighting.com) for specific warranty limitations and details.

## T20 / T24 INFORMATION

	Integrated LED	Replacement LED Lamp	No Lamp *
This product can be used to comply with California Building Energy Efficiency Standards 2016 <b>Title 24</b> Part 6.			
This product can be used to comply with California Appliance Efficiency Standards 2016 <b>Title 20</b> and may be shipped to and sold in California.			

\* If a light fixture or component does not include a lamp or light source, it is the responsibility of the customer to select a lamp that meets the T24 and T20 requirements.

