

PRODUCT FEATURES

- Inspired by illuminated city streets and intersections at night
- Composed of sheets of raw steel
- Ideal for residential and commercial lighting applications
- Ships with an energy efficient integrated LED lamp
- Fully dimmable integrated LED lamping creates the desired ambiance
- Protected by a 5-year warranty



LAMPING

Composed of sheets of raw steel protected with a clear lacquer coat and accented by brass spot welding at the joints, this suspension fixture has a purposefully imperfect, rugged, industrial design. Includes four 120 volt, 40 watt G9 halogen bi-pin lamps or two 20 watt, field-replaceable LED strips (2000 lumens, 3000K). Halogen may also be lamped with four 120 volt, 60 watt G9 halogen bi-pin lamps (not included). Ships with 12 feet of field-cutttable cord and twelve feet of aircraft cable. Incandescent version dimmable with standard incandescent dimmer. LED dimmable with low-voltage electronic dimmer.

Crossroads Linear Suspension



Crossroads Linear Suspension

ORDERING INFORMATION

700LSCRS	FINISH	LAMP
	S STEEL	HALOGEN 120V (T20)
		-LED LED 3000V 120V
		-LED277 LED 3000V 277V

700LSCRS _____

JOB NAME _____

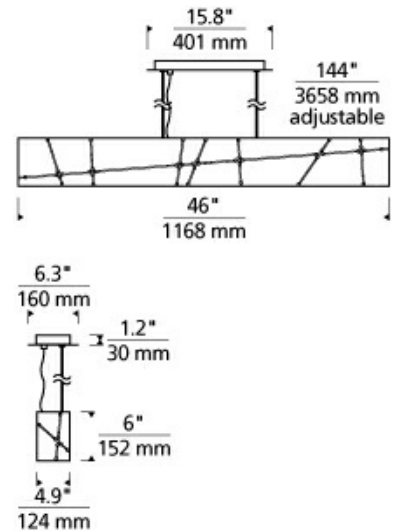
NOTES _____



CROSSROADS LINEAR SUSPENSION

SPECIFICATIONS

HARDWARE MATERIAL	Metal
SHADE MATERIAL	Acrylic
NET WEIGHT	18 lbs
HEIGHT	6in
WIDTH	4.9in
LENGTH	46in
UP LIGHT / DOWN LIGHT / BOTH?	
WET LISTED	
DAMP LISTED	Yes
DRY LISTED	
MIN. HANGING HEIGHT	
MAX HANGING HEIGHT	
TOTAL CORD LENGTH	144in
TOTAL STEM LENGTH	
STEM QTY	
SLOPED CEILING ADAPTABLE?	Yes
GENERAL LISTING	ETL Listed
INCLUDES	



LAMPING SPECIFICATIONS

	LED LAMP	INTEGRATED LED	NON LED	NO LAMP
DELIVERED LUMENS				
WATTS	40		40	
MAX WATTAGE PER BULB	40W		160W	
INPUT VOLTAGE	120V 277V		120V	
DIMMING TYPE*				
CCT				
CRI				
LED LIFETIME				
L70				
AVERAGE BULB HOURS	30000			
FIELD SERVICEABLE LED				
LAMP BASE	Integrated LED		G9	
LAMP SHAPE	Integrated LED		T4	
LAMP INCLUDED?	Y		Y	
WARRANTY**	5 Years		1 Year	

* Dimming information available at www.techlighting.com/Downloads#dimming

** Visit techlighting.com for specific warranty limitations and details.

T20 / T24 INFORMATION

	Integrated LED	Replacement LED Lamp	No Lamp *
This product can be used to comply with California Building Energy Efficiency Standards 2016 Title 24 Part 6.			
This product can be used to comply with California Appliance Efficiency Standards 2016 Title 20 and may be shipped to and sold in California.			

* If a light fixture or component does not include a lamp or light source, it is the responsibility of the customer to select a lamp that meets the T24 and T20 requirements.

