

# BODIAM 30 SUSPENSION

## PRODUCT FEATURES

- Inspired by large medieval cast iron chandeliers
- 24" and 30" available in aged brass, satin nickel, and antique bronze. 48" diameter available in antique bronze and satin nickel
- Features a thick outer metal ring that houses dual stacked rows of inward firing LEDs
- Ideal for residential and commercial lighting applications
- Fixture provided with twelve feet of field-cuttable cable to match finish selection
- Protected by a 5-year warranty. please visit the "About Us" Page on [techlighting.com](http://techlighting.com) for more for warranty details



Aged Brass

## LAMPING

Includes 23.6 watt, 1339 delivered lumens, 3000K LED module. Dimmable with most LED compatible ELV and TRIAC dimmers. Fixture provided with twelve feet of field-cuttable cable to match finish selection.



Antique Bronze

Satin Nickel

Aged Brass

## ORDERING INFORMATION

700BOD	SHAPE OR SIZE	FINISH	LAMP
	30 30" DIAMETER	R AGED BRASS Z ANTIQUE BRONZE S SATIN NICKEL	-LED824 LED 80 CRI 2400K 120V -LED830 LED 80 CRI 3000K 120V -LED930 INTEGRATED LED 90 CRI 3000K 120V (T24)

700BOD \_\_\_\_\_

JOB NAME \_\_\_\_\_

NOTES \_\_\_\_\_

\_\_\_\_\_

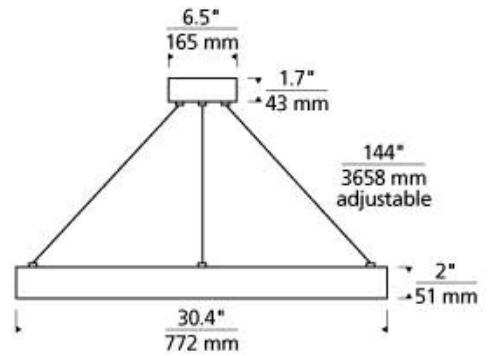
\_\_\_\_\_



# BODIAM 30 SUSPENSION

## SPECIFICATIONS

HARDWARE MATERIAL	Metal
SHADE MATERIAL	Aluminum
NET WEIGHT	10 lbs
HEIGHT	2in
WIDTH	30.4in
LENGTH	30.4in
UP LIGHT / DOWN LIGHT / BOTH?	
WET LISTED	
DAMP LISTED	Yes
DRY LISTED	
MIN. HANGING HEIGHT	15.7in
MAX HANGING HEIGHT	147.7in
TOTAL CORD LENGTH	144in
TOTAL STEM LENGTH	
STEM QTY	
SLOPED CEILING ADAPTABLE?	Yes
GENERAL LISTING	ETL Listed
INCLUDES	



## LAMPING SPECIFICATIONS

	LED LAMP	INTEGRATED LED	NON LED	NO LAMP
DELIVERED LUMENS		1339 1880		
WATTS		23.6 32		
MAX WATTAGE PER BULB		23.6W		
INPUT VOLTAGE		120V		
DIMMING TYPE*		ELV, TRIAC ELV		
CCT		3000K 2400K		
CRI		90 CRI 80 CRI		
LED LIFETIME				
L70				
AVERAGE BULB HOURS		50000		
FIELD SERVICEABLE LED				
LAMP BASE		Integrated LED		
LAMP SHAPE		Integrated LED		
LAMP INCLUDED?		Y		
WARRANTY**		5 Years		

\* Dimming information available at [www.techlighting.com/Downloads#dimming](http://www.techlighting.com/Downloads#dimming)

\*\* Visit [techlighting.com](http://techlighting.com) for specific warranty limitations and details.

## T20 / T24 INFORMATION

	Integrated LED	Replacement LED Lamp	No Lamp *
This product can be used to comply with California Building Energy Efficiency Standards 2016 Title 24 Part 6.			
This product can be used to comply with California Appliance Efficiency Standards 2016 Title 20 and may be shipped to and sold in California.			

\* If a light fixture or component does not include a lamp or light source, it is the responsibility of the customer to select a lamp that meets the T24 and T20 requirements.

