

PRODUCT FEATURES

- Ultra-thin modern bath bar for a crisp and clean look
- Edge-lit LED light guide technology gives the appearance of light coming from thin air
- Unique wedge profile provides outward and downward light wash
- Fully dimmable integrated LED lamp
- Available in two on-trend finish Chrome and Satin Nickel
- 5 year warranty with LED lamping option, visit techlighting.com for more warranty details



LAMPING

Includes 16 watt, 651 delivered lumen, 3000K LED module. Dimmable with low-voltage electronic dimmer. ADA compliant.

Chrome



Chrome

Satin Nickel

ORDERING INFORMATION

700BCCAST LENGTH (A)	FINISH	LAMP
24 24"	C CHROME S SATIN NICKEL	-LED930 LED 90 CRI 3000K 120V

700BCCAST _____

JOB NAME _____

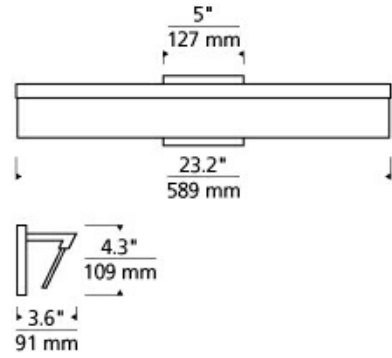
NOTES _____



CAST 24 BATH

SPECIFICATIONS

HARDWARE MATERIAL	Metal
SHADE MATERIAL	Glass
NET WEIGHT	2.0 lbs
HEIGHT	4.3in
WIDTH	3.6in
LENGTH	23.2in
WET LISTED	
DAMP LISTED	Yes
DRY LISTED	
SLOPED CEILING ADAPTABLE?	No
GENERAL LISTING	ETL Listed
INCLUDES	



LAMPING SPECIFICATIONS

	LED LAMP	INTEGRATED LED	NON LED	NO LAMP
DELIVERED LUMENS		651		
WATTS		16		
MAX WATTAGE PER BULB		16W		
INPUT VOLTAGE		120V		
DIMMING TYPE*		ELV		
CCT		3000K		
CRI		90 CRI		
LED LIFETIME				
L70				
AVERAGE BULB HOURS		30000		
FIELD SERVICEABLE LED				
LAMP BASE		Integrated LED		
LAMP SHAPE		Integrated LED		
LAMP INCLUDED?		Y		
WARRANTY**		5 Years		

*Dimming information available at www.techlighting.com/Downloads#dimming
 ** Visit techlighting.com for specific warranty limitations and details.

T20 / T24 INFORMATION

	Integrated LED	Replacement LED Lamp	No Lamp *
This product can be used to comply with California Building Energy Efficiency Standards 2016 Title 24 Part 6.			
This product can be used to comply with California Appliance Efficiency Standards 2016 Title 20 and may be shipped to and sold in California.			

* If a light fixture or component does not include a lamp or light source, it is the responsibility of the customer to select a lamp that meets the T24 and T20 requirements.

