

CIRCULET GRANDE PENDANT

PRODUCT FEATURES



LAMPING

Rated for (1) 60 watt max E26 medium based lamp (Lamp Not Included). LED replacement version includes 120 volt 9.5 watt, 800 delivered lumens, 2700K medium base LED A19 lamp. Dimmable with LED compatible dimmer. Integrated LED version includes 14.5 watt, 600 delivered lumen, 3000K-2200K, warm color dimming LED module. Dimmable with low-voltage electronic or triac dimmer. Ships with sixteen feet of field-cutable satin cable.

Antique Bronze



Antique Bronze

Satin Nickel

ORDERING INFORMATION

700	SYSTEM	CIRGP	COLOR	FINISH	LAMP
	TD LINE-VOLTAGE PENDANTS/SUSPENSION		W WHITE	S SATIN NICKEL	NO LAMP

700 _____ CIRGP _____

JOB NAME _____

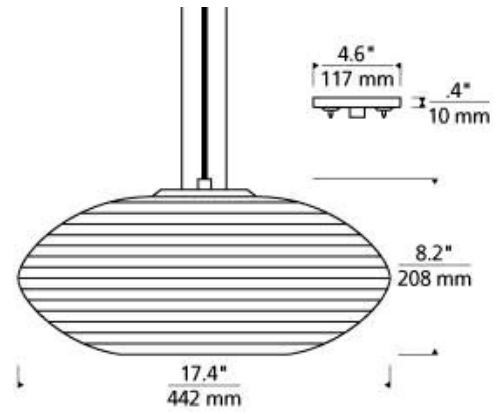
NOTES _____



CIRCULET GRANDE PENDANT

SPECIFICATIONS

HARDWARE MATERIAL	
SHADE MATERIAL	
NET WEIGHT	
HEIGHT	
WIDTH	
LENGTH	
UP LIGHT / DOWN LIGHT / BOTH?	
WET LISTED	
DAMP LISTED	
DRY LISTED	
MIN. HANGING HEIGHT	
MAX HANGING HEIGHT	
TOTAL CORD LENGTH	
TOTAL STEM LENGTH	
STEM QTY	
SLOPED CEILING ADAPTABLE?	No
GENERAL LISTING	
INCLUDES	



LAMPING SPECIFICATIONS

	LED LAMP	INTEGRATED LED	NON LED	NO LAMP
DELIVERED LUMENS				
WATTS				
MAX WATTAGE PER BULB				
INPUT VOLTAGE				
DIMMING TYPE*				
CCT				
CRI				
LED LIFETIME				
L70				
AVERAGE BULB HOURS				
FIELD SERVICEABLE LED				
LAMP BASE				
LAMP SHAPE				
LAMP INCLUDED?				
WARRANTY**				

*Dimming information available at www.techlighting.com/Downloads#dimming
 ** Visit techlighting.com for specific warranty limitations and details.

T20 / T24 INFORMATION

	Integrated LED	Replacement LED Lamp	No Lamp *
This product can be used to comply with California Building Energy Efficiency Standards 2016 Title 24 Part 6.			
This product can be used to comply with California Appliance Efficiency Standards 2016 Title 20 and may be shipped to and sold in California.			

* If a light fixture or component does not include a lamp or light source, it is the responsibility of the customer to select a lamp that meets the T24 and T20 requirements.

