

PRODUCT FEATURES

- Add a touch of contemporary rustic style to your space with this beautiful pendant light
- Medium scale perfect for today's interior design trends
- Complementary smaller scale Dobson Grande pendant for modest lighting applications
- Special coating and modern Satin Nickel trim add warmth and sophistication
- Ships with choice of Title 24 Compliant LED or standard incandescent lamp saving you time and money
- Protected by a 1-year warranty



LAMPING

Includes 9 watt, 192 delivered lumen, 2700K LED module. Dimmable with low-voltage electronic dimmer. May be mounted up or down. ADA compliant.

Weathered Gray Oak



Brown Chestnut



Weathered Gray Oak



White Ash

ORDERING INFORMATION

700WSDBS COLOR	FINISH	LAMP
N BROWN CHESTNUT	S SATIN NICKEL	-LED927 LED 90 CRI 2700K 120V
Y WEATHERED GRAY OAK		

700WSDBS _____

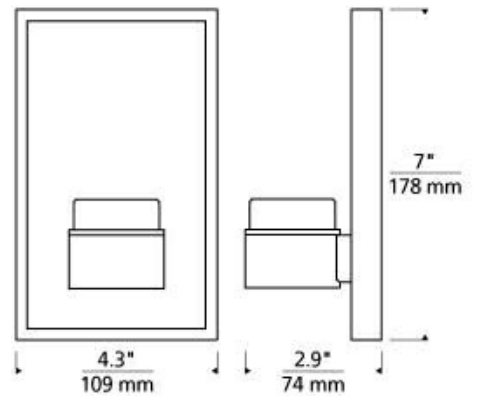
JOB NAME _____

NOTES _____



SPECIFICATIONS

HARDWARE MATERIAL	Metal
SHADE MATERIAL	Glass
NET WEIGHT	2 lbs
HEIGHT	7in
WIDTH	2.9in
LENGTH	4.3in
MIN. EXTENSION FROM WALL	2.9in
UP LIGHT / DOWN LIGHT / BOTH?	
WET LISTED	
DAMP LISTED	
DRY LISTED	
UP / DOWN	
HORIZONTAL / VERTICAL	
WALL / CEILING MOUNT	
SLOPED CEILING ADAPTABLE?	No
GENERAL LISTING	ETL Listed
ADA COMPLIANT	
INCLUDES	



LAMPING SPECIFICATIONS

	LED LAMP	INTEGRATED LED	NON LED	NO LAMP
DELIVERED LUMENS		192		
WATTS		9		
MAX WATTAGE PER BULB		9W		
INPUT VOLTAGE		120V		
DIMMING TYPE*		ELV		
CCT		2700K		
CRI		90 CRI		
LED LIFETIME				
L70				
AVERAGE BULB HOURS		30000		
FIELD SERVICEABLE LED				
LAMP BASE		Integrated LED		
LAMP SHAPE		Integrated LED		
LAMP INCLUDED?		Y		
WARRANTY**		5 Years		

*Dimming information available at www.techlighting.com/Downloads#dimming

** Visit techlighting.com for specific warranty limitations and details.

T20 / T24 INFORMATION

	Integrated LED	Replacement LED Lamp	No Lamp *
This product can be used to comply with California Building Energy Efficiency Standards 2016 Title 24 Part 6.			
This product can be used to comply with California Appliance Efficiency Standards 2016 Title 20 and may be shipped to and sold in California.			

* If a light fixture or component does not include a lamp or light source, it is the responsibility of the customer to select a lamp that meets the T24 and T20 requirements.

