

ZHANE TRIO SUSPENSION

PRODUCT FEATURES

- Ultra-modern design style
- Provides an abundance of glare-free light onto surfaces below
- Ideal for living room lighting, bedroom lighting and dining room lighting applications
- Ships with an energy efficient integrated LED lamp
- Fully dimmable integrated LED lamping creates the desired ambiance
- Protected by a 5-year warranty



LAMPING

Includes (3) 10 watt, 1800 delivered lumen, 3000K field-replaceable LED modules. Fixture provided with 6 feet of field-cutttable cloth cord and 6 feet of aircraft cable. Dimmable with low-voltage electronic dimmer.

Satin Nickel



Black

Satin Nickel

ORDERING INFORMATION

700ZHNT	FINISH	LAMP
	S SATIN NICKEL	-LED LED 80 CRI 3000V 120V

700ZHNT _____

JOB NAME _____

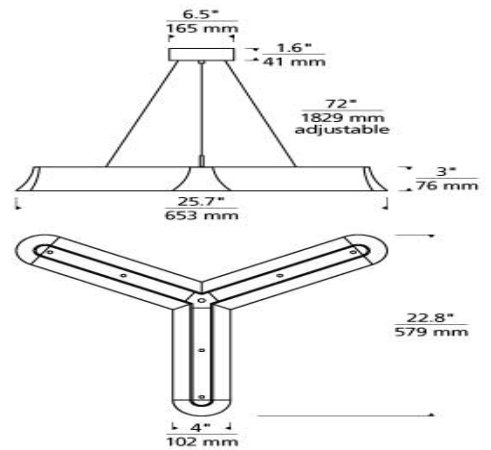
NOTES _____



ZHANE TRIO SUSPENSION

SPECIFICATIONS

HARDWARE MATERIAL	Metal
SHADE MATERIAL	Acrylic
NET WEIGHT	8.5 lbs
HEIGHT	3in
WIDTH	22.8in
LENGTH	25.7in
UP LIGHT / DOWN LIGHT / BOTH?	
WET LISTED	
DAMP LISTED	Yes
DRY LISTED	
MIN. HANGING HEIGHT	
MAX HANGING HEIGHT	
TOTAL CORD LENGTH	72in
TOTAL STEM LENGTH	
STEM QTY	
SLOPED CEILING ADAPTABLE?	No
GENERAL LISTING	ETL Listed
INCLUDES	



LAMPING SPECIFICATIONS

	LED LAMP	INTEGRATED LED	NON LED	NO LAMP
DELIVERED LUMENS		1800		
WATTS		10		
MAX WATTAGE PER BULB		30W		
INPUT VOLTAGE		120V		
DIMMING TYPE*		ELV		
CCT		3000K		
CRI		80 CRI		
LED LIFETIME				
L70				
AVERAGE BULB HOURS		30000		
FIELD SERVICEABLE LED				
LAMP BASE		Integrated LED		
LAMP SHAPE		Integrated LED		
LAMP INCLUDED?		Y		
WARRANTY**		5 Years		

*Dimming information available at www.techlighting.com/Downloads#dimming

** Visit techlighting.com for specific warranty limitations and details.

T20 / T24 INFORMATION

	Integrated LED	Replacement LED Lamp	No Lamp *
This product can be used to comply with California Building Energy Efficiency Standards 2016 Title 24 Part 6.			
This product can be used to comply with California Appliance Efficiency Standards 2016 Title 20 and may be shipped to and sold in California.			

* If a light fixture or component does not include a lamp or light source, it is the responsibility of the customer to select a lamp that meets the T24 and T20 requirements.

