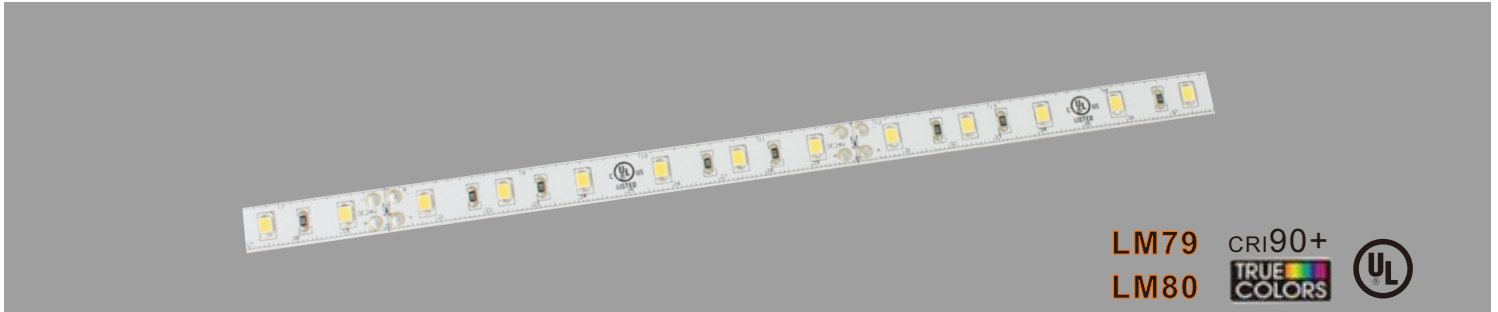




1509 S. La Cienega Blvd.
Los Angeles, CA 90035
T: 310. 826. 7777
info@liteninc.com

6584-2835-CRI90 Series


LED Flexible Strip



Description

The 6584 series raises the bar for LED Strip lighting. Its thick PCB board and high quality SMD2835 chips will ensure that it will last and remain bright. It is highly versatile, dimmable, and suitable for both lighting and accenting. Available in a variety of voltages and color temperatures. Bring out the true color of your spaces with high CRI +90 LED chips. Deliver all the versatility of LED Strips with the same quality of light from traditional lamps.

Product Specifications

Input Voltage	12V DC/24 V DC
Limiting Control Method	CV-Constant Voltage
Power Consumption	4.40 W/ft
Beam Angle	120°
Cutttable Segments	2 in (50 mm) for 12V / 4 in (100 mm) for 24V
Reel Length	16.4 ft / 5 m / 98.4 ft / 30 m
Segment Width	0.39 in (10 mm)
Luminous Flux Maintenance	75,000 hrs
Dimming	DMX PWM, RF PWM, 0-10V, MLV, Incandescent
Warranty	7 Years Limited
Certifications	 UL Listed, E467088
Operating Temperature	-20°F to 120°F
Mounting	Non-Porous: 3M double sided Tape
LED Chip Type	High Quality SMD 2835
LED Density	18 LEDs/ft/60 LEDs/m
Board Type/Color	3 oz Density, White PCB

Nominal CCT (K)	Luminous Flux (lm/ft)	Luminous Efficacy (lm/W)	CRI
2700 K	321	72.9	90+
3000 K	321	72.9	90+
4000 K	333	75.7	90+
5000 K	360	81.9	90+
6000 K	360	81.9	90+



IP22

Ordering Guide

Series	CCT	Voltage	IP Rating
6584	XX	XX	XX
			CRI90

1 - Contact Richee for exact warranty period and policy.

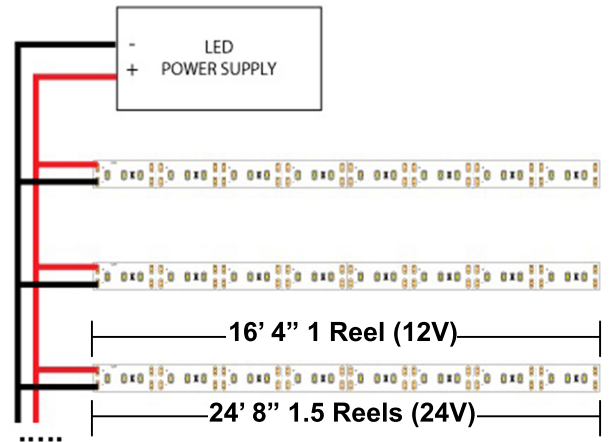
2 - Lumen output are measured according to PMS-80, with a tolerance of +/- 5%.

3 - Standard package: 5m/roll.

6584-2835-CRI90 Series

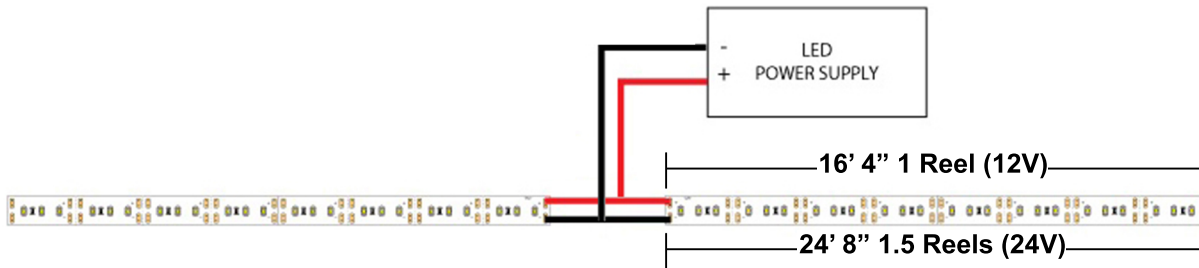
Parallel Connection Guide

Parallel connections are strongly recommended for LED Strip installation. It is important to not go over the recommended run length. The LED strip will start to dim after the recommended length and will damage the strip over time.



Middle Connection Guide

Middle connections are parallel connections that are used to create a longer singular line of LED strips. To prevent dimming a wire can be connected to the middle of the strip.



Double End Connection Guide

LED Strips can also be powered from both sides. This will double the length of the Max Run for your installation. Also two different power supplies can be used at each end to power the LED strips.

