



1509 S. La Cienega Blvd.  
Los Angeles, CA 90035  
T: 310. 826. 7777  
info@liteninc.com

|          |      |
|----------|------|
| Project  |      |
| Notes    |      |
| Type     | Date |
| Cat. No. |      |



## LCS™ Series

## LED Channel Strip

### DESCRIPTION

The LCS family of Lensed LED strip lights combine high-performance LEDs and highly-engineered optics to traditional designs to bring you the most advanced line of LED Strip Lights on the market. Multiple lumen packages mean there is an LCS that is just right for your lighting needs. The LCS provides superior energy efficiency and a longer maintenance-free operating life over the traditional T5 and T8 fluorescent fixtures they are designed to replace. Excellent for general utility applications: Parking garage, warehouse, offices, restrooms, storage units, and stairwell.

### LCS Series

|                     |
|---------------------|
| <b>24" Housing</b>  |
| 17W (1800 Lumens)   |
| <b>48" Housing</b>  |
| 26W (2700 Lumens)   |
| 40W (4200 Lumens)   |
| 52W (5800 Lumens)   |
| <b>96" Housing</b>  |
| 68W (7400 Lumens)   |
| 104W (11000 Lumens) |

### Specification Features



#### Construction

Housing, wireway cover and ends are die-formed heavy gauge steel with high gloss, baked white enamel finish over rust inhibiting phosphate coat. Housing and wireway cover act as a heat sink, maximizing the life of the LEDs and power supplies. Knockouts provided on back, ends, and sides. Diffuser Lens reduces glare and improves occupant comfort while maintaining high efficiency emission.

#### Qualifications

All luminaires are built to UL 1598 and 2108 standards, and bear appropriate ETL labels. Damp location labeling is standard. Emergency equipped fixtures labeled UL924. Adheres to LM70, LM80, and TM21 industry standards. DesignLights Consortium® (DLC) qualified product. Not all product variations listed are DLC qualified. Please visit the DLC Qualified Products List at [www.designlights.org/QPL](http://www.designlights.org/QPL) to confirm which models are qualified.

#### Electrical

Equipped standard with fixed output driver. Optional 0-10V continuous dimming driver that works with any standard 0-10V control/dimmer. Long-Life LED's 60,000 hours at L80 with projected life over 100,000 hours for reduced life cycle maintenance costs.

#### Installation

Suitable for surface mounting, suspension, or stem mounting, individually or in continuous rows.

#### Warranty

5-year Limited Warranty. See warranty documentation for more information.

#### Options

Optional On/Off or Bi-Level Motion Sensor, high voltage transformers, emergency battery backups, whips and cords.

Rated Life 60,000 hours  
Limited Warranty 5-years  
Efficacy Up to 106 LPW  
Continuous Dimming



### Quick Ship/ DLC Listed

|                  |                   |
|------------------|-------------------|
| LCS-2-17-MV-840  | LCS-4-52-MVD-850  |
| LCS-2-17-MV-850  | LCS-8-68-MVD-840  |
| LCS-4-26-MVD-850 | LCS-8-68-MVD-850  |
| LCS-4-40-MVD-830 | LCS-8-104-MVD-850 |
| LCS-4-40-MVD-835 |                   |
| LCS-4-40-MV-840  |                   |
| LCS-4-40-MVD-840 |                   |
| LCS-4-40-MV-850  |                   |
| LCS-4-40-MVD-850 |                   |
| LCS-4-52-MVD-830 |                   |
| LCS-4-52-MVD-840 |                   |

### Ordering Information

Example Model Number: LCS-4-52-MVD-850

| LCS                                      | 4  | 52   | MVD  | 8  | 50  |
|--|--|--|--|--|---|
| <b>Series</b>                            | <b>Length</b>  | <b>Rated Wattage</b>   | <b>Driver Type</b>   | <b>CRI</b>   | <b>Color Temp</b>   |
| LCS<br>LED Channel Strip                 | 2- 24" Length <sup>2</sup><br>4- 48" Length <sup>2</sup><br>8- 96" Length <sup>2</sup> | <b>24" Housing</b><br>17-17W (1800 Lumens) <sup>2</sup><br><b>26- 26W (2700 Lumens)<sup>2</sup></b><br><b>48" Housing</b><br>26- 26W (2700 Lumens) <sup>2</sup><br>40- 40W (4200 Lumens) <sup>2</sup><br>52- 52W (5800 Lumens) <sup>2</sup><br><b>96" Housing</b><br>68- 68W (7400 Lumens) <sup>2</sup><br>104- 104W (11000 Lumens) <sup>2</sup> | <b>MV- 120-277V<sup>2</sup></b><br><b>MVD-120-277V; 0-10V Dimming<sup>2</sup></b><br><b>HVD-347-480V,0-10V Dimming<sup>1</sup></b><br><b>HV-347-480V<sup>1</sup></b> | <b>8 80+ CRI<sup>2</sup></b>   | <b>35 3500 Kelvin<sup>2</sup></b><br><b>40 4000 Kelvin<sup>2</sup></b><br><b>50 5000 Kelvin<sup>2</sup></b> |
| <b>Options</b>                           |  |  |  |  |   |
| <b>Emergency Backup</b>                  |  | <b>Control</b>   |  | <b>Accessories</b>   |   |
| <b>EML8</b> 800lm<br><b>EML16</b> 1600lm |  | <b>MOS-</b> Integral Microwave Sensor, On/Off<br><b>OS-</b> Fixture Mounted Occupancy Sensor, On/Off<br><b>MOSB-</b> Integral Bi-Level Microwave Sensor<br><b>MOSB-FM-</b> Fixture Mounted Bi-Level Microwave Sensor<br><b>OSBL-</b> Fixture Mounted Occupancy Sensor, Bi-Level  |  | <b>FW3-</b> 6' 3 Wire Fixture whip<br><b>FW4-</b> 6' 4 Wire Fixture Whip |   |

Specifications and Dimensions subject to change without notice

## Performance Summary

|                                |                            |
|--------------------------------|----------------------------|
| Input Voltage                  | 120V-277V                  |
| Input Frequency                | 50/60 Hz                   |
| Rated Wattage                  | See Performance Table      |
| Delivered Lumens               | See Performance Table      |
| Efficacy                       | > 106 LPW (typ.)           |
| CRI                            | 83+, R9 > 0                |
| Available CCT <sup>1</sup>     | 3500K,4000K,5000K          |
| Color Consistency <sup>2</sup> | 5-step MacAdam Ellipse     |
| Rated Life                     | 60,000 hours               |
| L70 <sup>3</sup>               | > 72,000 hours or > 45,000 |
| Power Factor                   | > 0.9                      |
| THD                            | < 20%                      |
| Dimming                        | 0-10V Continuous (10-100%) |
| Operating Temp.                | -18°C to 40°C              |

## Performance Data

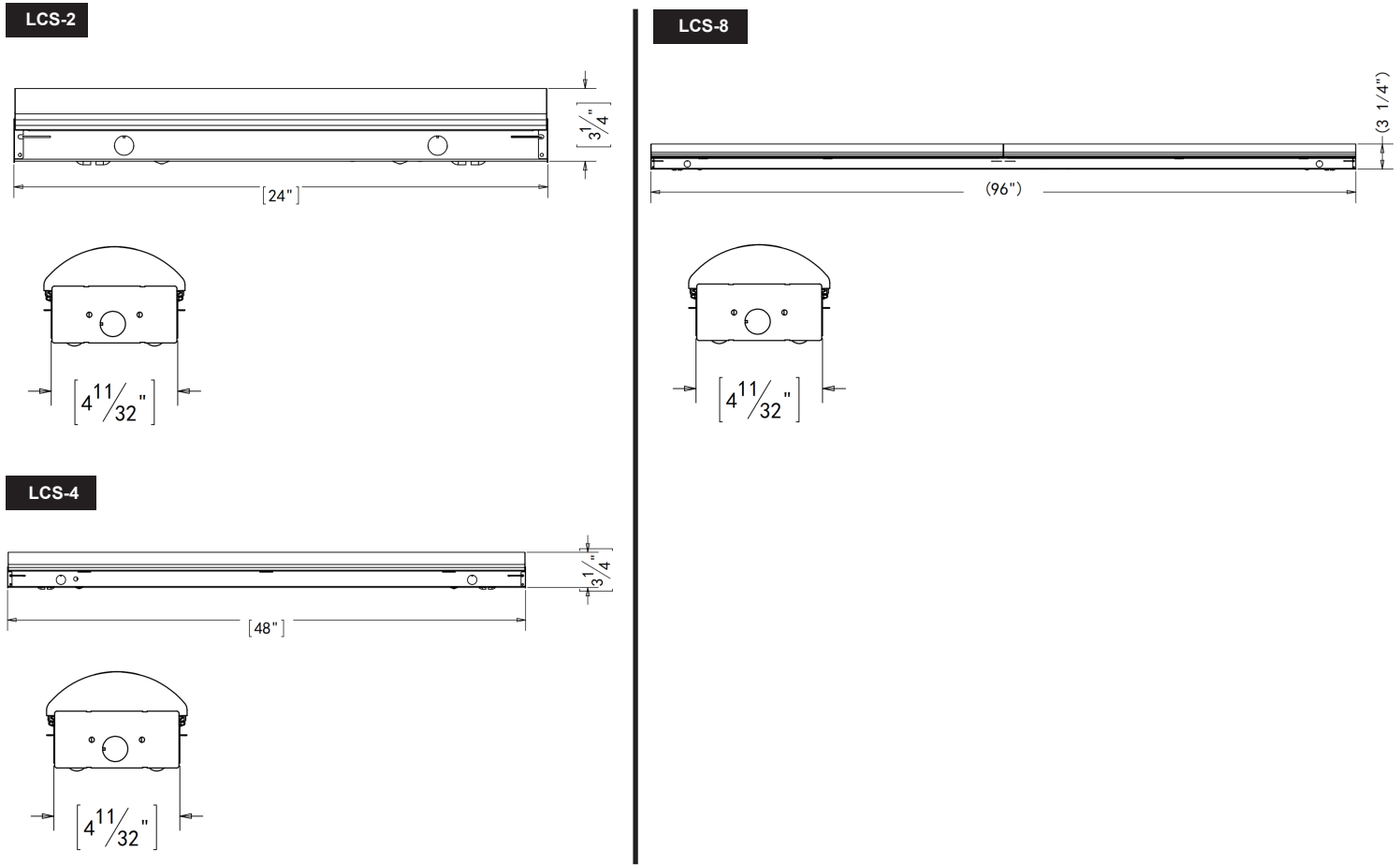
| Lens Type            | Form Factor | Catalog No.       | Rated Wattage (W) | Delivered Lumens | Efficacy (lm/W) |
|----------------------|-------------|-------------------|-------------------|------------------|-----------------|
| Frosted Acrylic Lens | 2'          | LCS-2-17-MV-850   | 17W               | 1,800            | 105.8           |
|                      |             | LCS-4-40-MV-850   | 40W               | 4,200            | 105             |
|                      | 4'          | LCS-4-52-MVD-850  | 52.67W            | 5,800            | 110             |
|                      |             |                   |                   |                  |                 |
|                      | 8'          | LCS-8-68-MVD-840  | 70W               | 7,400            | 105             |
|                      |             | LCS-8-104-MVD-850 | 104W              | 11,000           | 105.77          |

### NOTES:

- <sup>1</sup> Made to order items. Minimum 90 day lead time. Minimum 500 order quantity.
- <sup>2</sup> DLC Listed
- <sup>3</sup> DLC Premium Listed
- <sup>4</sup> Quick ship:3500K,4000K 5000K. Other CCTs may require a lead time or be special order
- <sup>5</sup> Typical color consistency. May vary or be changed.
- <sup>6</sup> L70 hours calculated based on LED package manufacturer LM80 report and ISTMT report of LED in luminaire. Stated values are for select catalog numbers. Contact manufacturer for detailed information

Specifications and Dimensions subject to change without notice

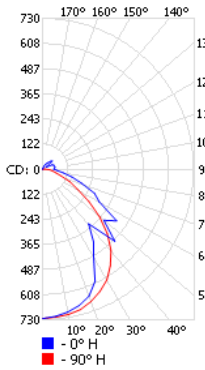
Product Dimensions



Photometric Data

LCS-2-17-MV-850 Tested in accordance to IESNA LM-79

Polar Candela Curve



Zonal Lumen Summary

| Zone  | Lumens   | % Lamp | % Luminaire |
|-------|----------|--------|-------------|
| 0-30  | 555.8    | 27.70% | 27.80%      |
| 0-40  | 878.1    | 43.80% | 43.90%      |
| 0-60  | 1,440.50 | 71.90% | 72%         |
| 60-90 | 408.4    | 20.40% | 20.40%      |
| 0-90  | 1,848.80 | 92.30% | 92.40%      |

Coefficients of Utilization

| RCC %: | 80    |      |      |      | 70   |      |      |      | 50   |      |    |  |
|--------|-------|------|------|------|------|------|------|------|------|------|----|--|
|        | RW %: | 70   | 50   | 30   | 0    | 70   | 50   | 30   | 0    | 50   | 30 |  |
| RCR: 0 | 1.17  | 1.17 | 1.17 | 1.17 | 1.13 | 1.13 | 1.13 | 0.92 | 1.07 | 1.07 |    |  |
| 1      | 1.07  | 1.02 | 0.97 | 0.93 | 1.03 | 0.99 | 0.95 | 0.77 | 0.93 | 0.9  |    |  |
| 2      | 0.97  | 0.89 | 0.82 | 0.76 | 0.94 | 0.86 | 0.8  | 0.65 | 0.81 | 0.76 |    |  |
| 3      | 0.89  | 0.78 | 0.7  | 0.64 | 0.85 | 0.76 | 0.69 | 0.56 | 0.72 | 0.66 |    |  |
| 4      | 0.81  | 0.69 | 0.61 | 0.54 | 0.78 | 0.68 | 0.6  | 0.48 | 0.64 | 0.57 |    |  |
| 5      | 0.75  | 0.62 | 0.53 | 0.47 | 0.72 | 0.61 | 0.53 | 0.42 | 0.58 | 0.51 |    |  |
| 6      | 0.69  | 0.56 | 0.48 | 0.41 | 0.67 | 0.55 | 0.47 | 0.37 | 0.52 | 0.45 |    |  |
| 7      | 0.64  | 0.51 | 0.43 | 0.37 | 0.62 | 0.5  | 0.42 | 0.34 | 0.48 | 0.41 |    |  |
| 8      | 0.6   | 0.47 | 0.38 | 0.33 | 0.58 | 0.46 | 0.38 | 0.3  | 0.44 | 0.37 |    |  |
| 9      | 0.56  | 0.43 | 0.35 | 0.3  | 0.54 | 0.42 | 0.35 | 0.27 | 0.4  | 0.34 |    |  |
| 10     | 0.53  | 0.4  | 0.32 | 0.27 | 0.51 | 0.39 | 0.32 | 0.25 | 0.38 | 0.31 |    |  |

Effective Floor Cavity Reflectance: 20%