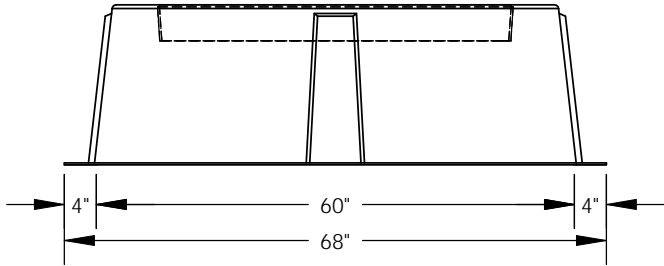
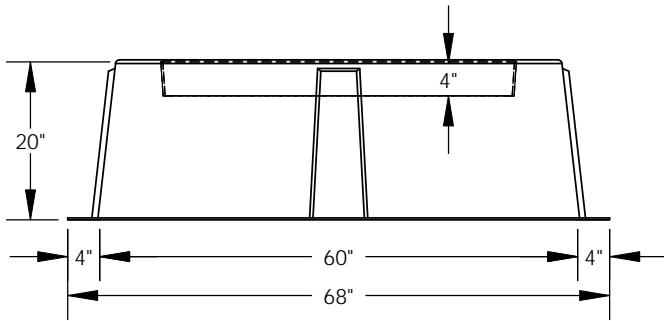
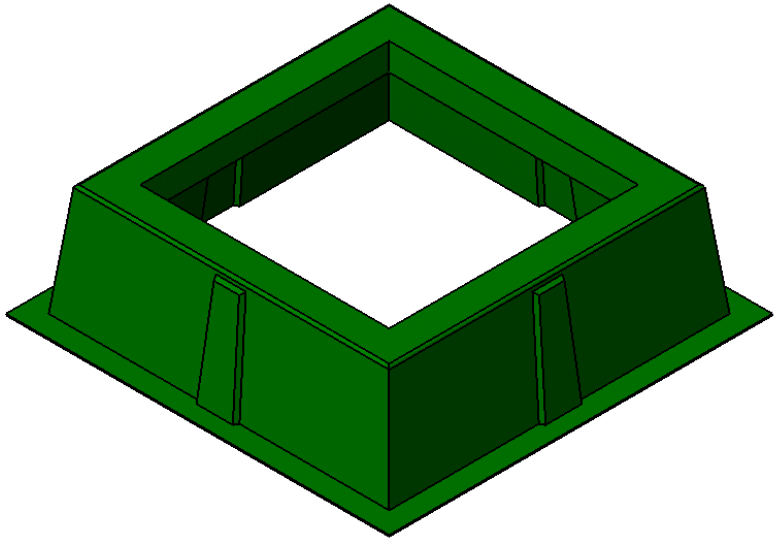
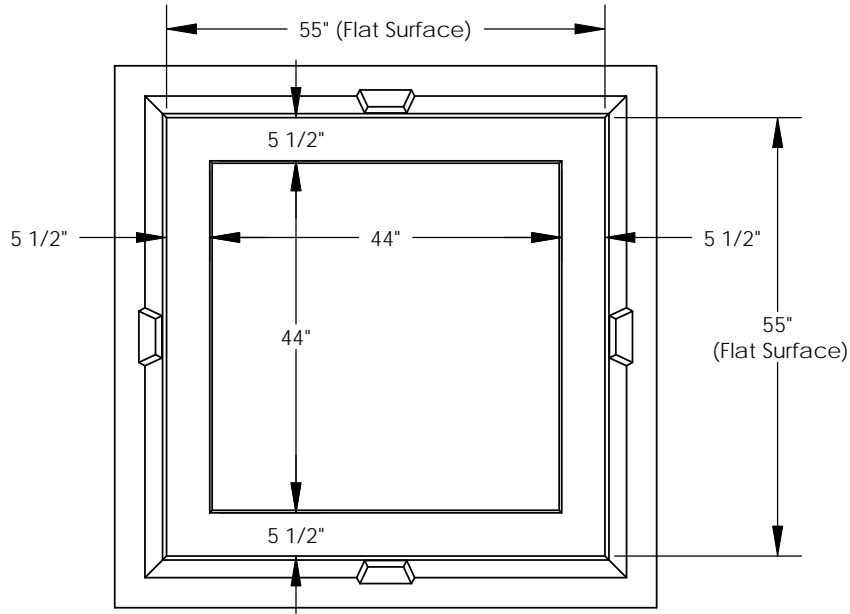


| REVISIONS | | | |
|-----------|-------------|-----------|----------|
| REV. | DESCRIPTION | DATE | APPROVED |
| REL-01 | | 9/24/2008 | |



PROPRIETARY AND CONFIDENTIAL
 THE INFORMATION CONTAINED IN THIS DRAWING IS THE SOLE PROPERTY OF NORDIC FIBERGLASS, INC. ANY REPRODUCTION IN PART OR AS A WHOLE WITHOUT THE WRITTEN PERMISSION OF NORDIC FIBERGLASS, INC. IS PROHIBITED.

| | | |
|----------------------------------|--------|----------|
| Customer Name: N/A | | |
| DIMENSIONS ARE IN INCHES | | |
| TOLERANCES: ANGLES $\pm 1^\circ$ | | |
| FRACTIONAL $\pm 1/2$ | | |
| ONE PLACE DECIMAL $\pm .060$ | | |
| TWO PLACE DECIMAL $\pm .030$ | | |
| THREE PLACE DECIMAL $\pm .015$ | | |
| MATERIAL | | |
| DRAWN | R.L.J. | 09/24/08 |
| CHECKED | --- | --/-- |

Nordic Fiberglass, Inc.
 21415 US Hwy 75 NW, Warren, MN 56762
 www.nordicfiberglass.com
 218-745-5095 ph. --- 218-745-4990 fax

GS-56-56-20-MG-44x44

| | | |
|-------------|--------------|---------------|
| SIZE | ITEM ID: | REV. |
| A | 01250.00 | REL-01 |
| SCALE: 1:24 | SHEET 1 OF 1 | |