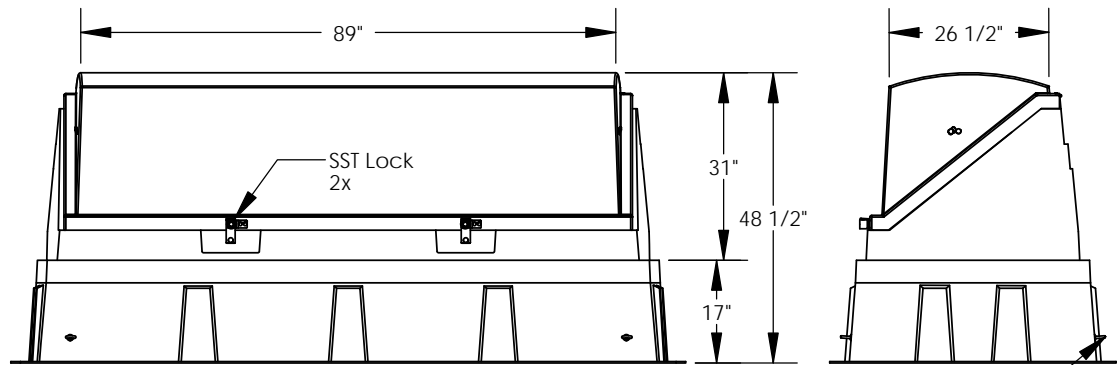
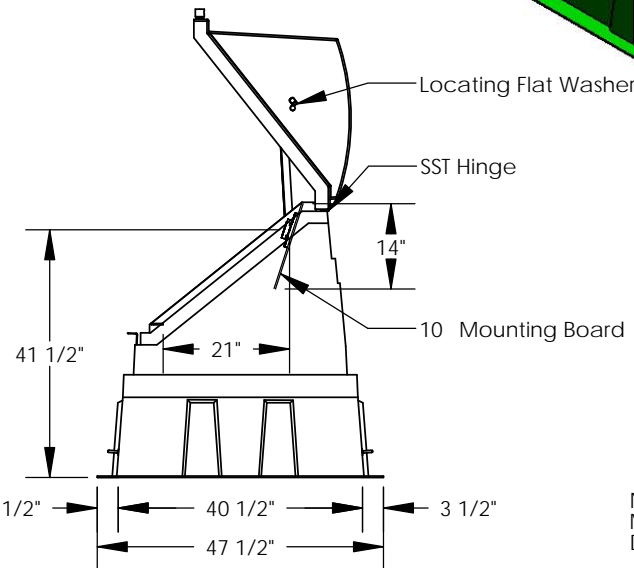
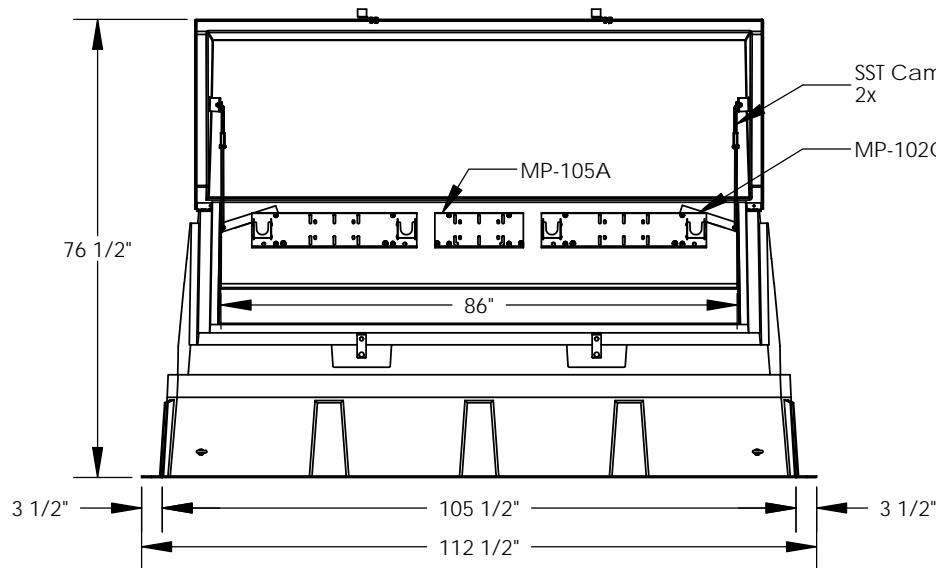


REVISIONS			
REV.	DESCRIPTION	DATE	APPROVED
REL-01		10/11/2006	



ZN Coated Eyebolt  
4x



NOTE:  
Mounting Plates are Hot  
Dipped Galvanized

**Nordic Fiberglass, Inc.**  
 21415 US Hwy 75 NW, Warren, MN 56762  
 www.nordicfiberglass.com  
 218-745-5095 ph. --- 218-745-4990 fax

ND-325-MG-2C5A-X-X

SCALE: 1:32	ITEM ID: 02790.00	REV. REL-01
-------------	-------------------	-------------

**PROPRIETARY AND CONFIDENTIAL**  
 THE INFORMATION CONTAINED IN THIS DRAWING IS THE SOLE PROPERTY OF  
 NORDIC FIBERGLASS, INC. ANY REPRODUCTION IN PART OR AS A WHOLE  
 WITHOUT THE WRITTEN PERMISSION OF NORDIC FIBERGLASS, INC. IS PROHIBITED.

Customer Name: N/A		
DIMENSIONS ARE IN INCHES		
TOLERANCES: ANGLES 1°		
FRACTIONAL 1/32		
ONE PLACE DECIMAL .060		
TWO PLACE DECIMAL .030		
THREE PLACE DECIMAL .015		
MATERIAL		
DRAWN	NAME	DATE
	P.J.W.	10/11/06
CHECKED	---	--/--