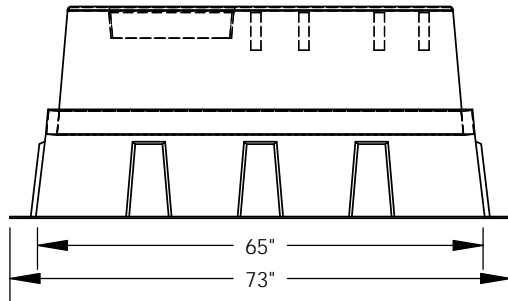
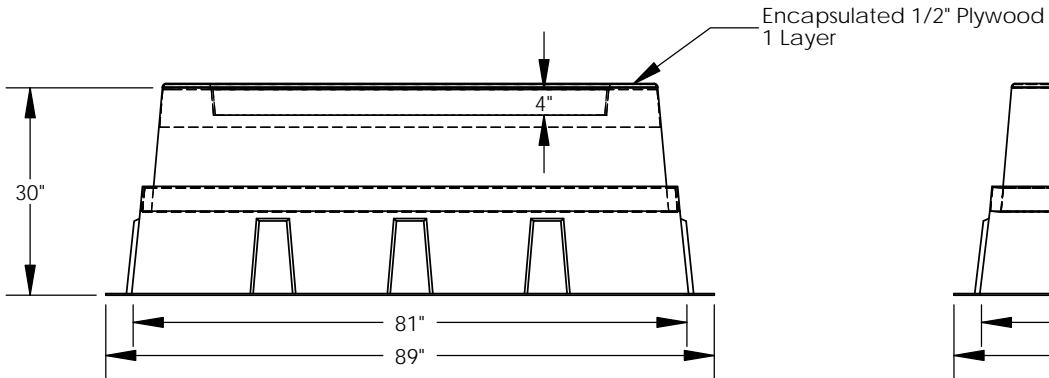
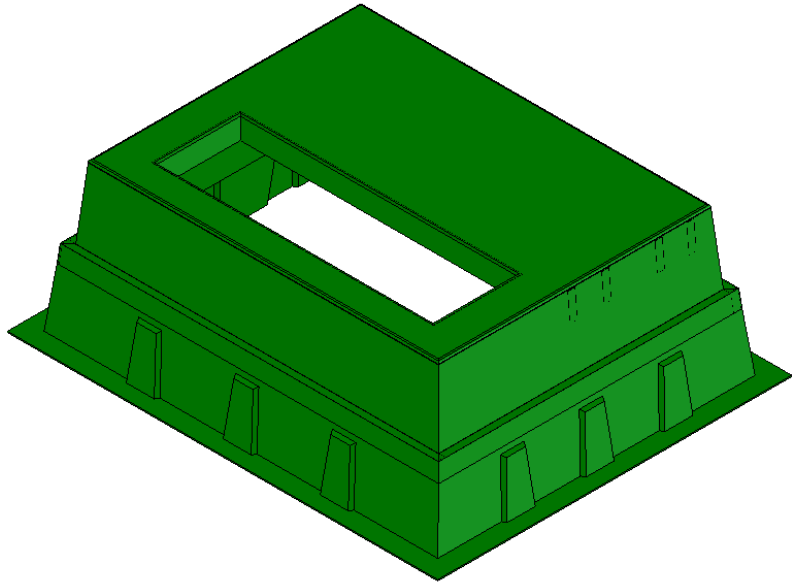
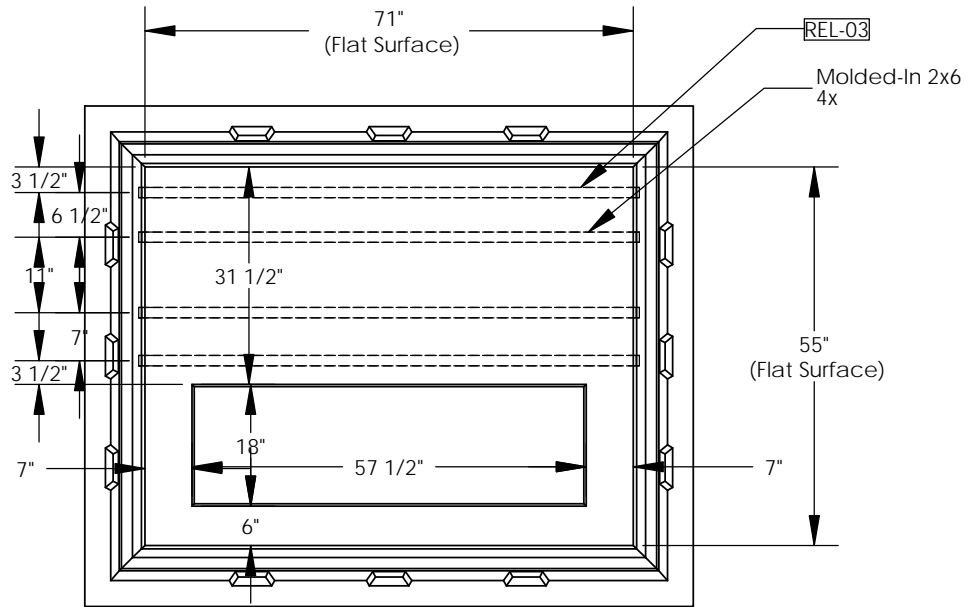


REVISIONS			
REV.	DESCRIPTION	DATE	APPROVED
REL-01		4/11/2007	
REL-02	Changed from 3/4" Plywood & 2x4's	3/4/2008	R.L.J.
REL-03	Added (1) 2x6	11/14/2012	M.F.K.



PROPRIETARY AND CONFIDENTIAL
 THE INFORMATION CONTAINED IN THIS DRAWING IS THE SOLE PROPERTY OF NORDIC FIBERGLASS, INC. ANY REPRODUCTION IN PART OR AS A WHOLE WITHOUT THE WRITTEN PERMISSION OF NORDIC FIBERGLASS, INC. IS PROHIBITED.

Customer Name: N/A		
DIMENSIONS ARE IN INCHES TOLERANCES: ANGLES ± 1° FRACTIONAL ± 1/2 ONE PLACE DECIMAL ±.060 TWO PLACE DECIMAL ±.030 THREE PLACE DECIMAL ±.015		
MATERIAL		
DRAWN	NAME	DATE
P.J.W.		04/11/07
CHECKED		--/--

Nordic Fiberglass, Inc.
 21415 US Hwy 75 NW, Warren, MN 56762
 www.nordicfiberglass.com
 218-745-5095 ph. --- 218-745-4990 fax

GS-72-56-30RT-MG-58x18

SIZE	ITEM ID:	REV.
A	01690.00	REL-03
SCALE: 1:28		SHEET 1 OF 1