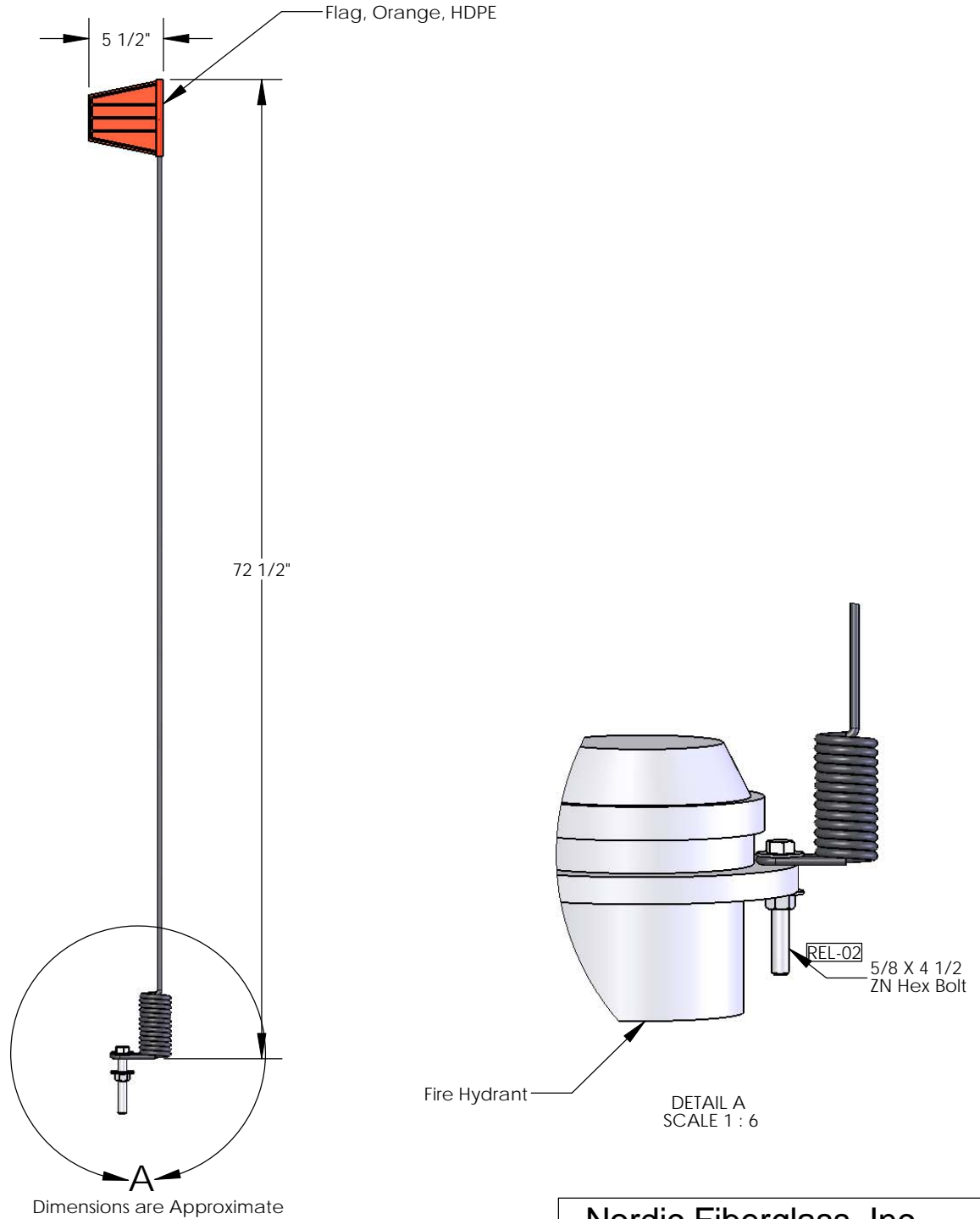


REVISIONS			
REV.	DESCRIPTION	DATE	APPROVED
REL-01		12/12/2005	
REL-02	Discontinued Strap and Clip. Added Washer	10/8/2008	M.F.K.
REL-03	Updated Flag Design	9/10/2009	R.L.J.



**Nordic Fiberglass, Inc.**  
 21415 US Hwy 75 NW, Warren, MN 56762  
 www.nordicfiberglass.com  
 218-745-5095 ph. --- 218-745-4990 fax

FF-2, 72 HYDRANT MARKER

SIZE	ITEM ID:	REV.
<b>A</b>	00220.00	<b>REL-03</b>
SCALE: 1:12	SHEET 1 OF 1	

Customer Name: N/A

DIMENSIONS ARE IN INCHES		
TOLERANCES: ANGLES ± 1°		
FRACTIONAL ± 1/2		
ONE PLACE DECIMAL ± .060		
TWO PLACE DECIMAL ± .030		
THREE PLACE DECIMAL ± .015		
DRAWN	P.J.W.	12/09/05
CHECKED	---	--/--

**PROPRIETARY AND CONFIDENTIAL**  
 THE INFORMATION CONTAINED IN THIS DRAWING IS THE SOLE PROPERTY OF NORDIC FIBERGLASS, INC. ANY REPRODUCTION IN PART OR AS A WHOLE WITHOUT THE WRITTEN PERMISSION OF NORDIC FIBERGLASS, INC. IS PROHIBITED.