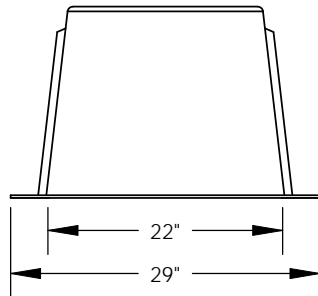
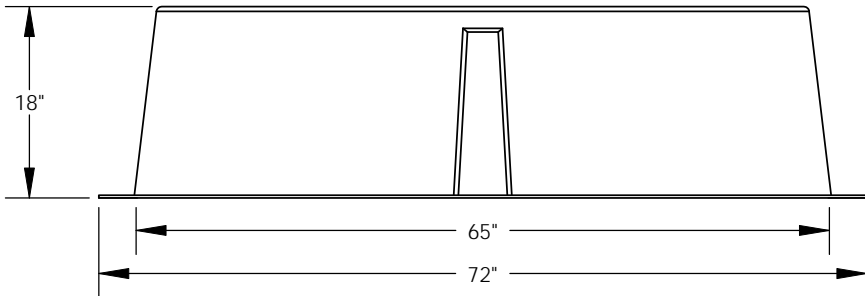
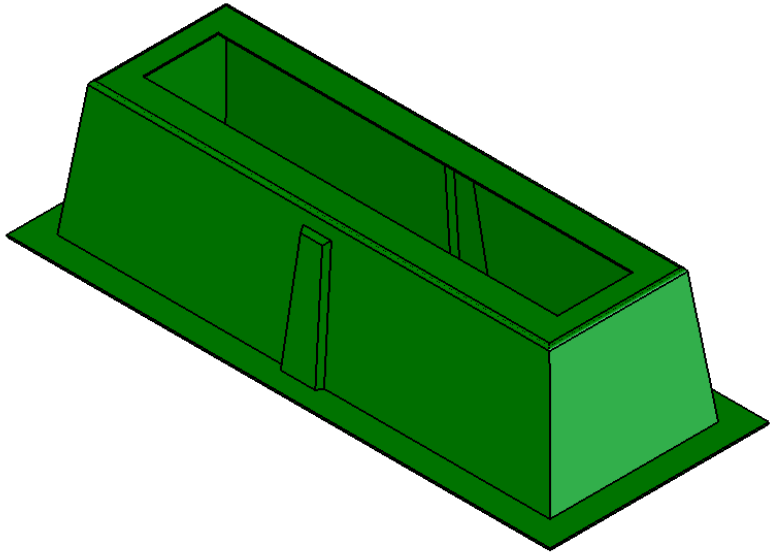
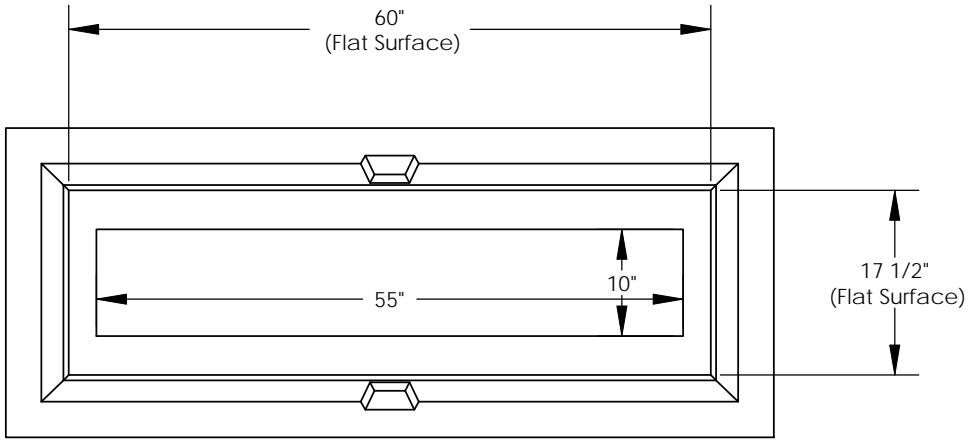


REVISIONS			
REV.	DESCRIPTION	DATE	APPROVED
REL-01		4/18/2007	



NOTE:
 Includes (6) 3/8x1.25 ZN Hex Bolts,
 (6) 3/8 ZN Hex Nuts, (12) 3/8 ZN Flat
 Washers, (6) 1/2 ZN Flat Washers

Nordic Fiberglass, Inc.
 21415 US Hwy 75 NW, Warren, MN 56762
 www.nordicfiberglass.com
 218-745-5095 ph. --- 218-745-4990 fax

GS-61-18-18M-MG-55x10		REV.
SIZE	ITEM ID:	REL-01
A	01300.00	
SCALE:1:18		SHEET 1 OF 1

PROPRIETARY AND CONFIDENTIAL
 THE INFORMATION CONTAINED IN THIS DRAWING IS THE SOLE PROPERTY OF
 NORDIC FIBERGLASS, INC. ANY REPRODUCTION IN PART OR AS A WHOLE
 WITHOUT THE WRITTEN PERMISSION OF NORDIC FIBERGLASS, INC. IS PROHIBITED.

Customer Name: N/A		
DIMENSIONS ARE IN INCHES		
TOLERANCES: ANGLES ± 1°		
FRACTIONAL ± 1/2		
ONE PLACE DECIMAL ±.060		
TWO PLACE DECIMAL ±.030		
THREE PLACE DECIMAL ±.015		
MATERIAL		
DRAWN	NAME	DATE
	P.J.W.	04/18/07
CHECKED	---	--/--/--