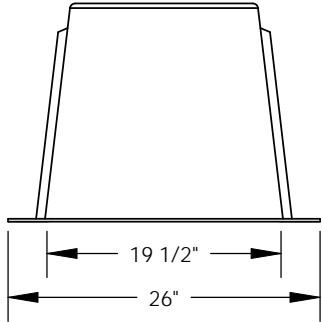
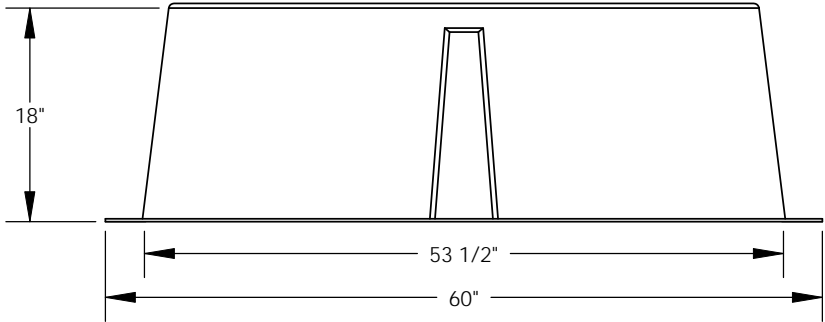
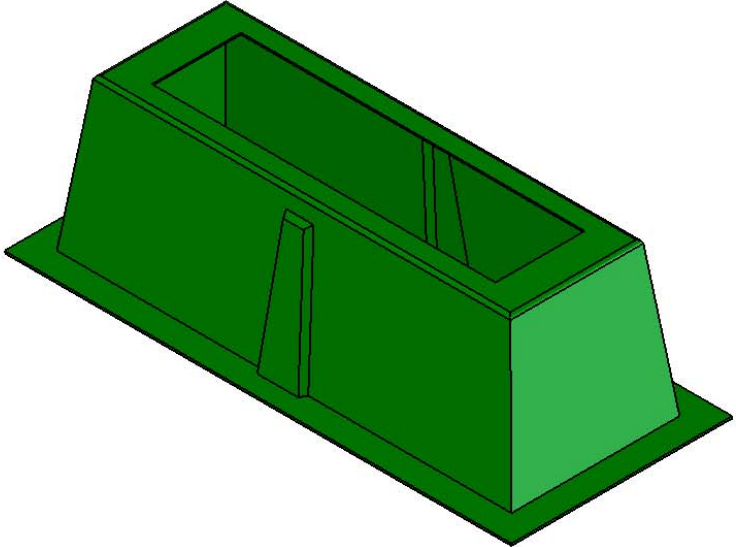
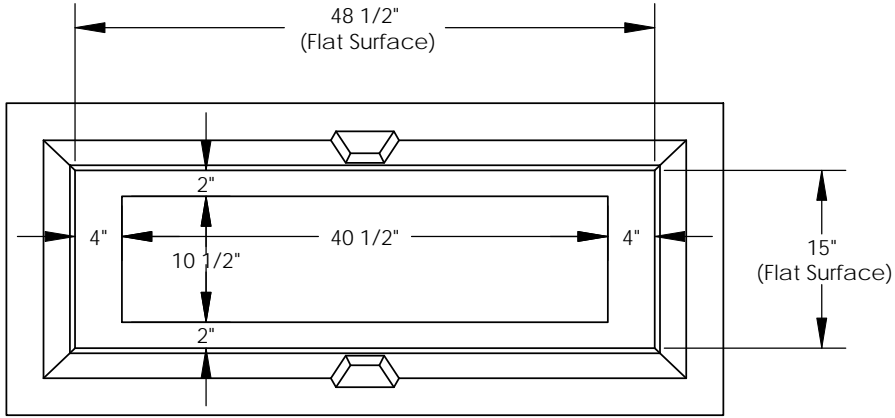


| REVISIONS |             |          |          |
|-----------|-------------|----------|----------|
| REV.      | DESCRIPTION | DATE     | APPROVED |
| REL-01    |             | 7/9/2007 |          |



NOTES:  
 Includes (6) 3/8x1.5 SST Hex Bolts,  
 (6) 3/8 SST Hex Nuts, (12) 3/8 SST Flat  
 Washers, (6) 1/2 SST Flat Washers

**Nordic Fiberglass, Inc.**

21415 US Hwy 75 NW, Warren, MN 56762  
 www.nordicfiberglass.com  
 218-745-5095 ph. --- 218-745-4990 fax

GS-49-15-18M-MG-40.5x10.5

**PROPRIETARY AND CONFIDENTIAL**  
 THE INFORMATION CONTAINED IN THIS DRAWING IS THE SOLE PROPERTY OF  
 NORDIC FIBERGLASS, INC. ANY REPRODUCTION IN PART OR AS A WHOLE  
 WITHOUT THE WRITTEN PERMISSION OF NORDIC FIBERGLASS, INC. IS PROHIBITED.

|                                  |        |          |
|----------------------------------|--------|----------|
| Customer Name: N/A               |        |          |
| DIMENSIONS ARE IN INCHES         |        |          |
| TOLERANCES: ANGLES $\pm 1^\circ$ |        |          |
| FRACTIONAL $\pm 1/2$             |        |          |
| ONE PLACE DECIMAL $\pm 0.060$    |        |          |
| TWO PLACE DECIMAL $\pm 0.030$    |        |          |
| THREE PLACE DECIMAL $\pm 0.015$  |        |          |
| MATERIAL                         |        |          |
| DRAWN                            | NAME   | DATE     |
|                                  | P.J.W. | 07/09/07 |
| CHECKED                          | ---    | --/--/-- |

|             |              |               |
|-------------|--------------|---------------|
| SIZE        | ITEM ID:     | REV.          |
| <b>A</b>    | 01070.00     | <b>REL-01</b> |
| SCALE: 1:16 | SHEET 1 OF 1 |               |