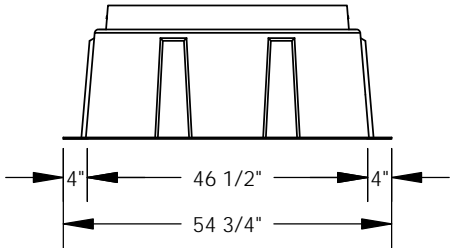
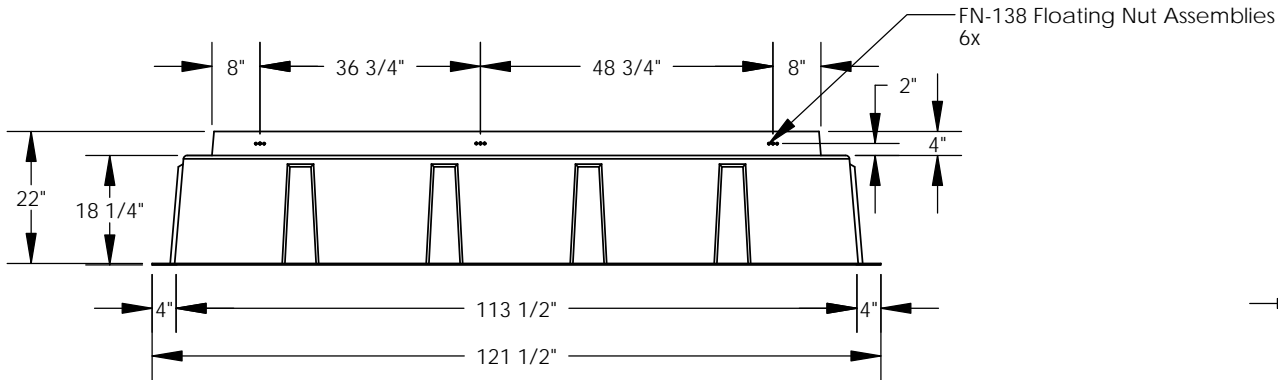
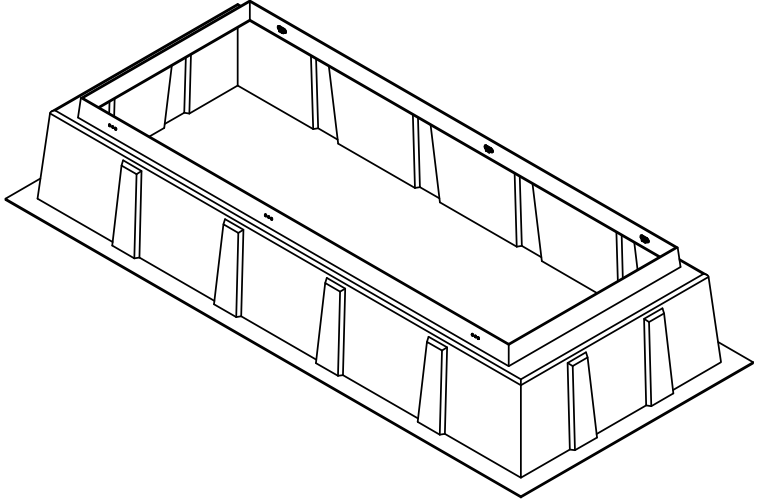
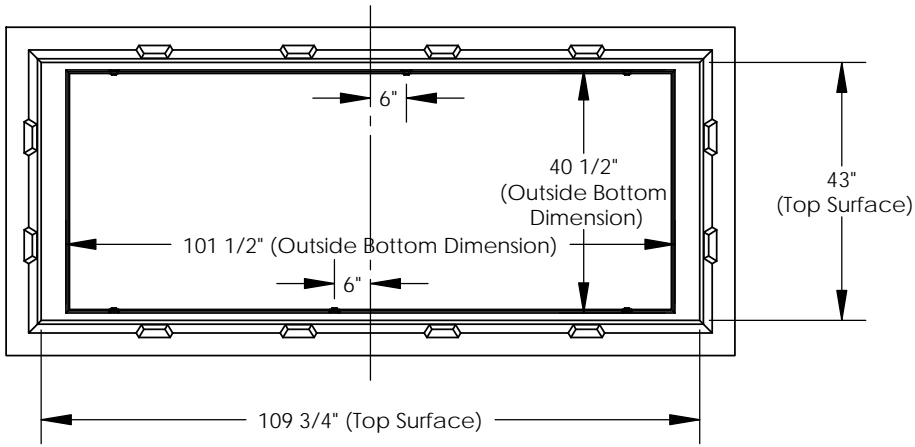


REVISIONS			
REV.	DESCRIPTION	DATE	APPROVED
REL-01		4/16/2007	



Includes:  
 6 - 3/8"-16x1-1/2" SS HH Bolts  
 6 - 3/8" Flat Washers

**Nordic Fiberglass, Inc.**

21415 US Hwy 75 NW, Warren, MN 56762  
 www.nordicfiberglass.com  
 218-745-5095 ph. --- 218-745-4990 fax

ND-325-MG-18EXT

**PROPRIETARY AND CONFIDENTIAL**  
 THE INFORMATION CONTAINED IN THIS DRAWING IS THE SOLE PROPERTY OF NORDIC FIBERGLASS, INC. ANY REPRODUCTION IN PART OR AS A WHOLE WITHOUT THE WRITTEN PERMISSION OF NORDIC FIBERGLASS, INC. IS PROHIBITED.

Customer Name: N/A		
DIMENSIONS ARE IN INCHES		
TOLERANCES: ANGLES ± 1°		
FRACTIONAL ± 1/32		
ONE PLACE DECIMAL ±.060		
TWO PLACE DECIMAL ±.030		
THREE PLACE DECIMAL ±.015		
MATERIAL	NAME	DATE
DRAWN	R.L.J.	08/22/06
CHECKED	---	--/--

SIZE	ITEM ID:	REV.
<b>A</b>	02790.96	<b>REL-02</b>
SCALE:1:32	SHEET 1 OF 1	