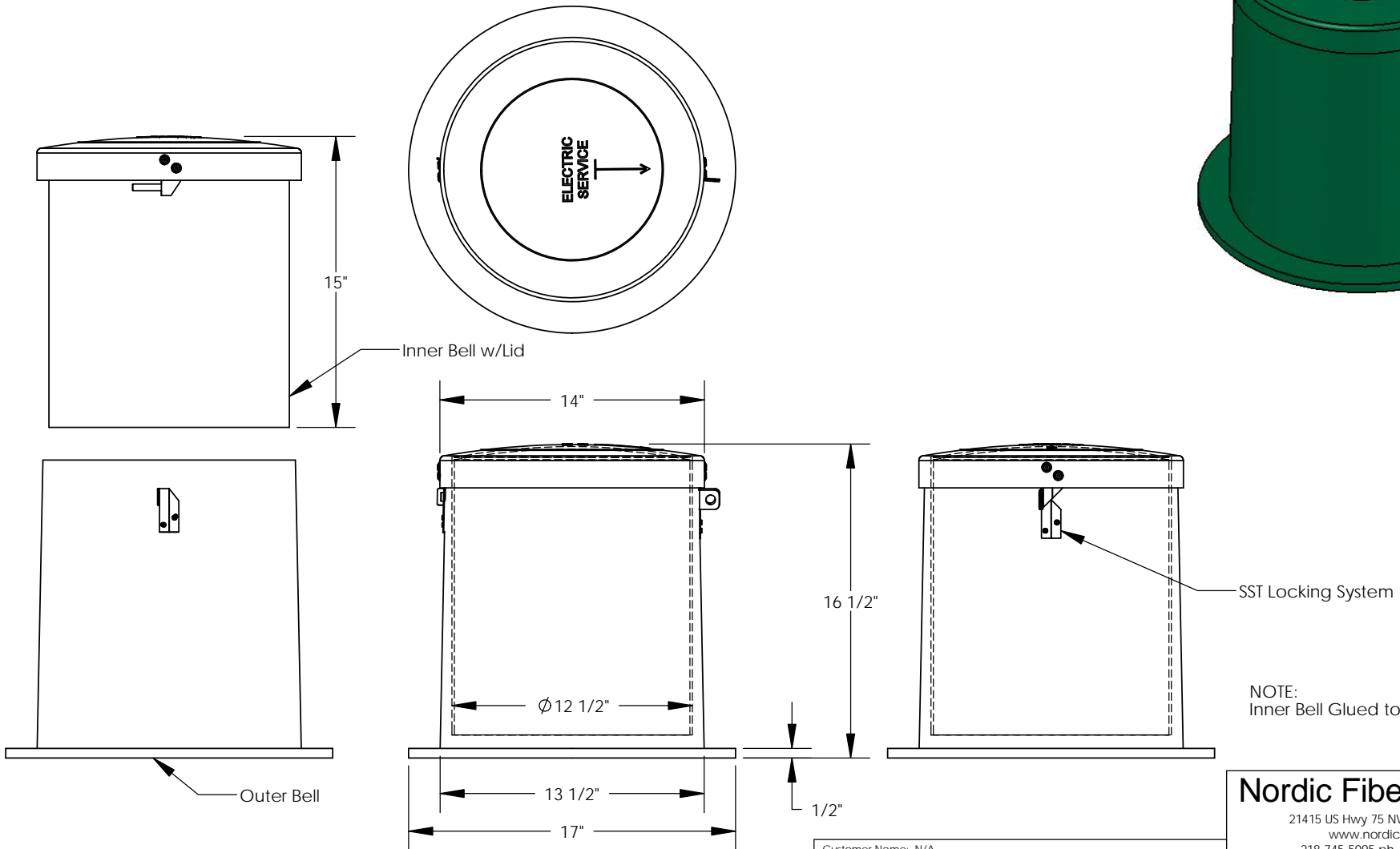
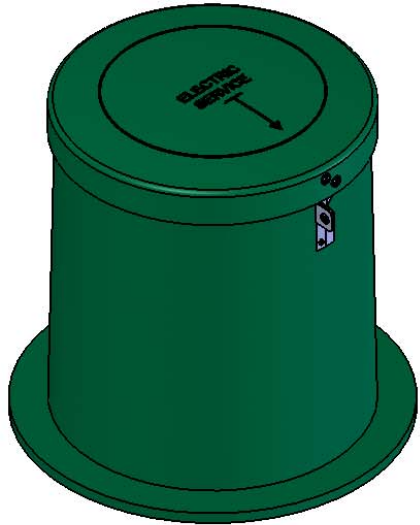


REVISIONS			
REV.	DESCRIPTION	DATE	APPROVED
REL-01		5/16/2006	



NOTE:  
Inner Bell Glued to Bottom of Lid

**Nordic Fiberglass, Inc.**

21415 US Hwy 75 NW, Warren, MN 56762  
www.nordicfiberglass.com  
218-745-5095 ph. --- 218-745-4990 fax

P-60-MG, INNER & OUTER BELL W/LID

**PROPRIETARY AND CONFIDENTIAL**  
THE INFORMATION CONTAINED IN THIS DRAWING IS THE SOLE PROPERTY OF NORDIC FIBERGLASS, INC. ANY REPRODUCTION IN PART OR AS A WHOLE WITHOUT THE WRITTEN PERMISSION OF NORDIC FIBERGLASS, INC. IS PROHIBITED.

Customer Name: N/A		
DIMENSIONS ARE IN INCHES		
TOLERANCES: ANGLES ± 1°		
FRACTIONAL ± 1/32		
ONE PLACE DECIMAL ±.060		
TWO PLACE DECIMAL ±.030		
THREE PLACE DECIMAL ±.015		
MATERIAL		
DRAWN	NAME	DATE
	P.J.W.	05/15/06
CHECKED	---	--/--/--

SIZE	ITEM ID:	REV.
<b>A</b>	03210.00	<b>REL-01</b>
SCALE:1:8		SHEET 1 OF 1