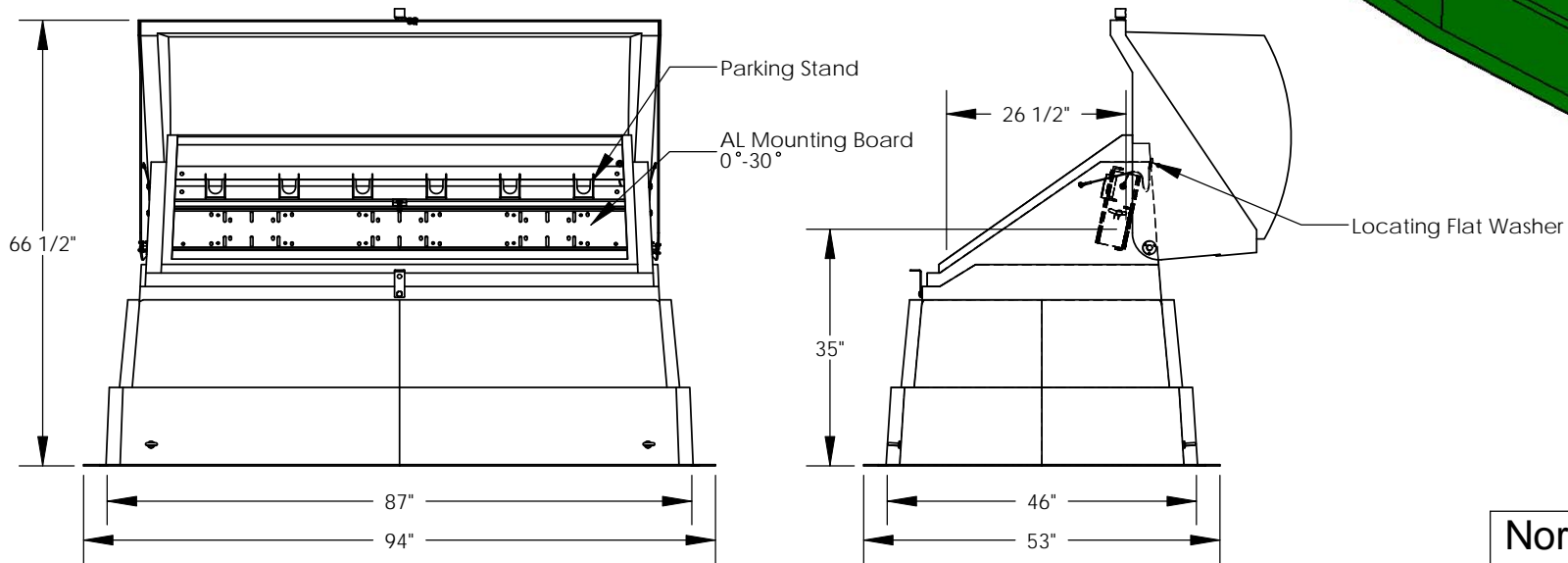
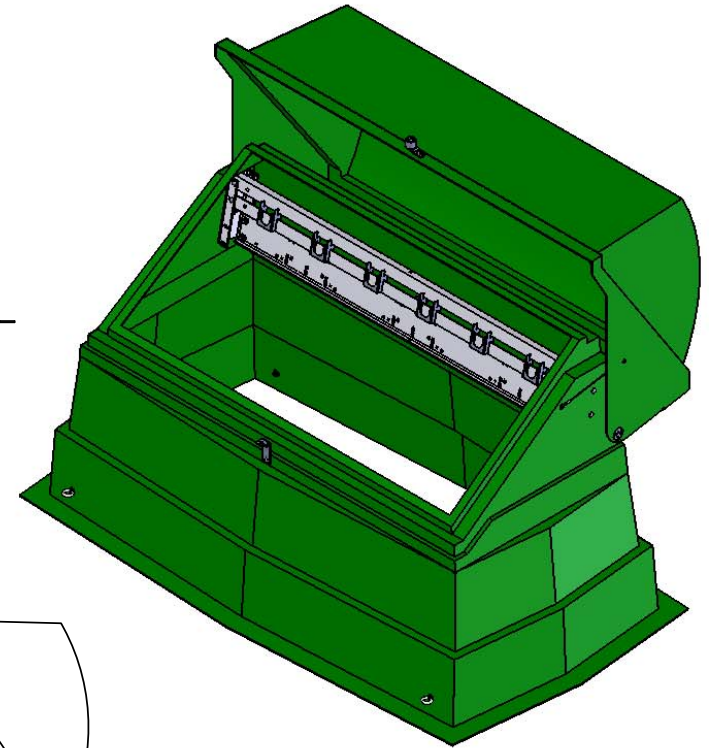
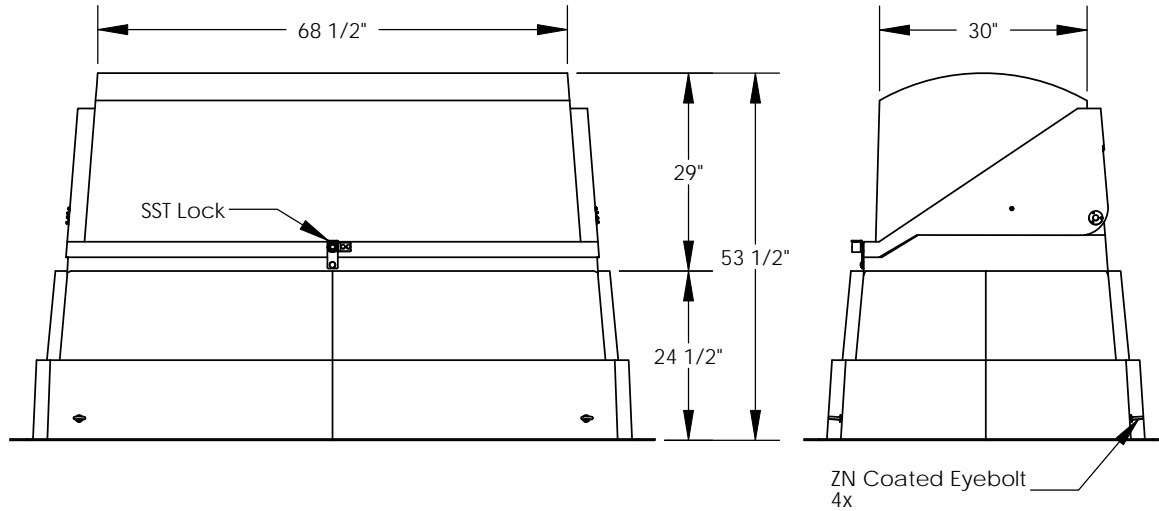


REVISIONS			
REV.	DESCRIPTION	DATE	APPROVED
REL-01		11/10/2006	
REL-02	Changed Mounting Board Angle from 12°-20°	1/30/2008	P.J.W.



Nordic Fiberglass, Inc.

21415 US Hwy 75 NW, Warren, MN 56762
www.nordicfiberglass.com
218-745-5095 ph. --- 218-745-4990 fax

ND-683054-MG-PA71-X-X

Customer Name: N/A

DIMENSIONS ARE IN INCHES
TOLERANCES: ANGLES ± 1°
FRACTIONAL ± 1/32
ONE PLACE DECIMAL ±.060
TWO PLACE DECIMAL ±.030
THREE PLACE DECIMAL ±.015

MATERIAL

	NAME	DATE
DRAWN	P.J.W.	11/13/06
CHECKED	---	--/--

SIZE
A

ITEM ID:
04062.00

REV.
REL-02

SCALE:1:28

SHEET 1 OF 1

PROPRIETARY AND CONFIDENTIAL

THE INFORMATION CONTAINED IN THIS DRAWING IS THE SOLE PROPERTY OF NORDIC FIBERGLASS, INC. ANY REPRODUCTION IN PART OR AS A WHOLE WITHOUT THE WRITTEN PERMISSION OF NORDIC FIBERGLASS, INC. IS PROHIBITED.