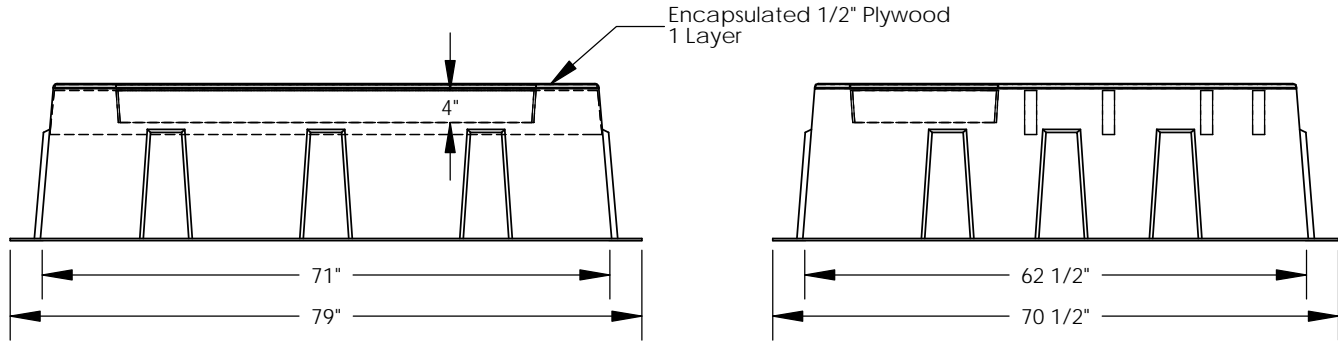
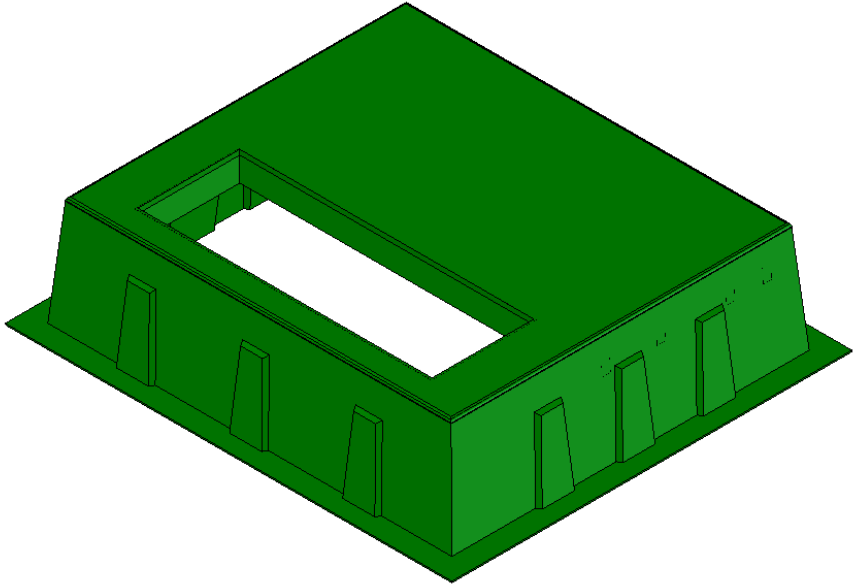
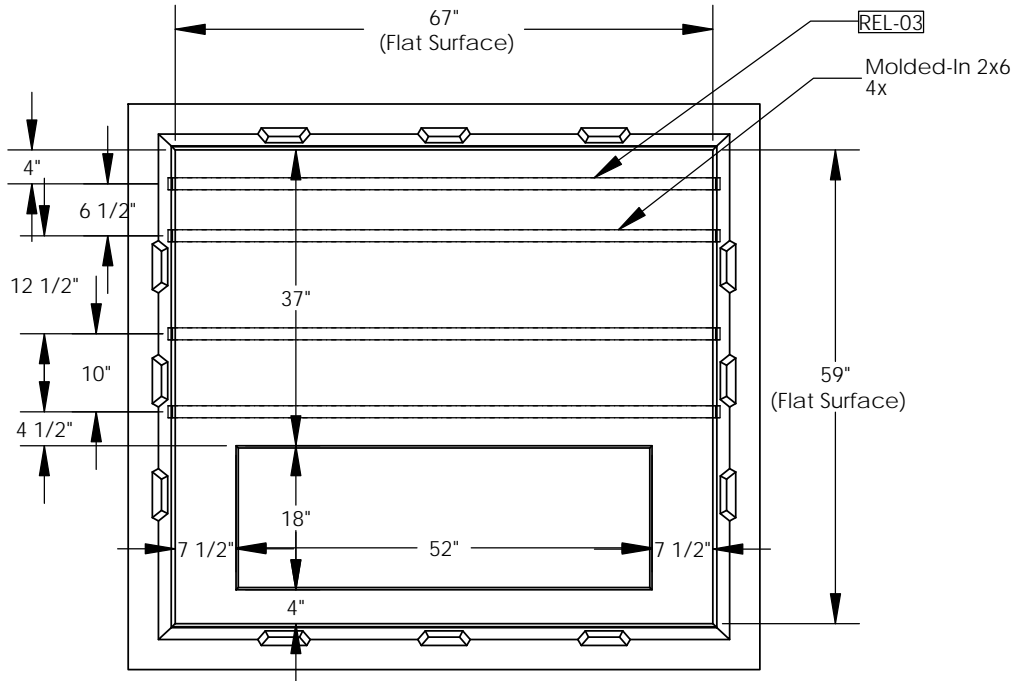


| REVISIONS |  |           |          |
|-----------|--|-----------|----------|
| REV.      | DESCRIPTION                                  | DATE      | APPROVED |
| REL-01    |  | 5/2/2007  |          |
| REL-02    | Changed from 2 Layers 1/2" Plywood and 2x4's | 1/15/2008 | P.J.W.   |
| REL-03    | Added 1 2x6                                  | 8/22/2012 | M.F.K.   |



**PROPRIETARY AND CONFIDENTIAL**  
 THE INFORMATION CONTAINED IN THIS DRAWING IS THE SOLE PROPERTY OF NORDIC FIBERGLASS, INC. ANY REPRODUCTION IN PART OR AS A WHOLE WITHOUT THE WRITTEN PERMISSION OF NORDIC FIBERGLASS, INC. IS PROHIBITED.

|                                  |        |          |
|----------------------------------|--------|----------|
| Customer Name: N/A               |        |          |
| DIMENSIONS ARE IN INCHES         |        |          |
| TOLERANCES: ANGLES $\pm 1^\circ$ |        |          |
| FRACTIONAL $\pm 1/32$            |        |          |
| ONE PLACE DECIMAL $\pm .060$     |        |          |
| TWO PLACE DECIMAL $\pm .030$     |        |          |
| THREE PLACE DECIMAL $\pm .015$   |        |          |
| MATERIAL                         |        |          |
| DRAWN                            | NAME   | DATE     |
|                                  | P.J.W. | 05/02/07 |
| CHECKED                          |        | --/--    |

**Nordic Fiberglass, Inc.**

21415 US Hwy 75 NW, Warren, MN 56762  
 www.nordicfiberglass.com  
 218-745-5095 ph. --- 218-745-4990 fax

|                        |              |               |
|------------------------|--------------|---------------|
| GS-67-59-18RT-MG-52x18 |              |               |
| SIZE                   | ITEM ID:     | REV.          |
| <b>A</b>               | 01510.00     | <b>REL-03</b> |
| SCALE: 1:24            | SHEET 1 OF 1 |               |