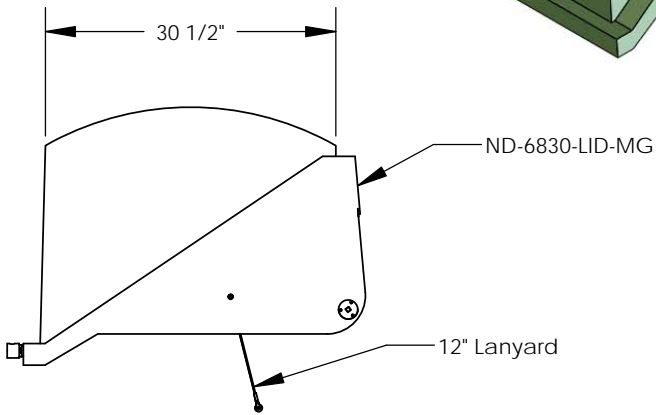
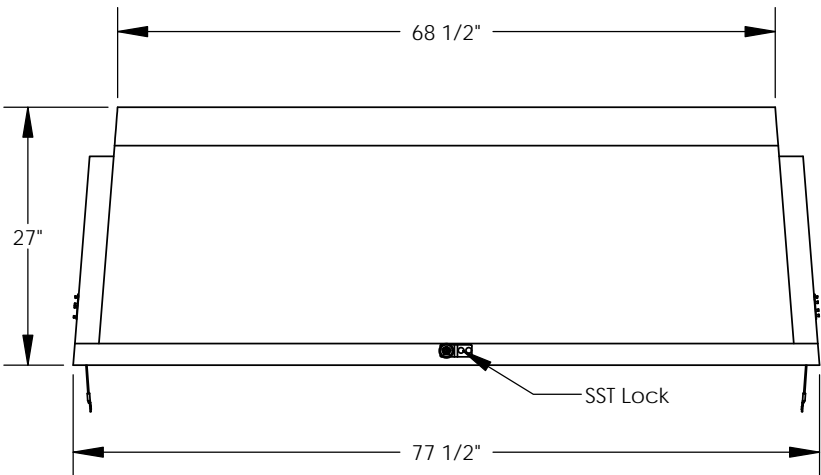
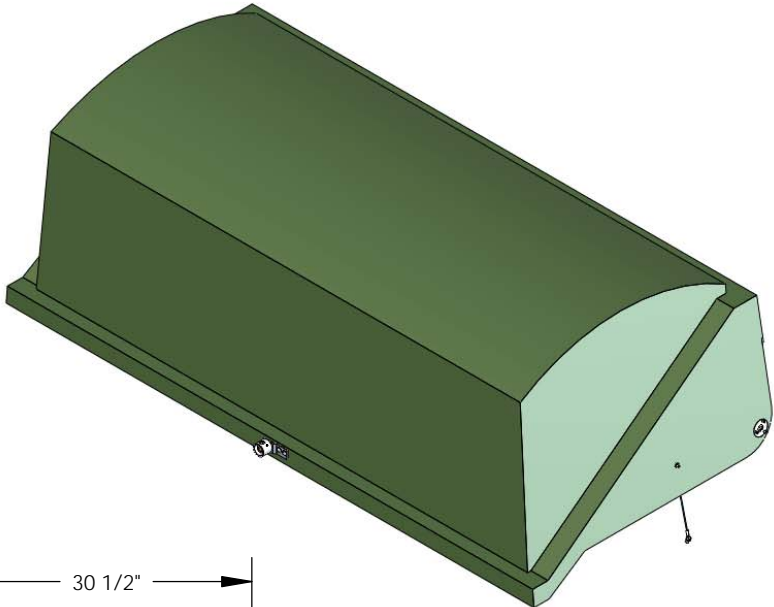


REVISIONS			
REV.	DESCRIPTION	DATE	APPROVED
REL-01		11/15/2006	



NOTE:
Includes (2) 3/8x1.5 SST Carriage Bolts,
(4) 3/8 SST Flat Washers, (2) 3/8 SST Lock
Nuts, (2) 3/8x1/2x5/8 SST Spacers

Nordic Fiberglass, Inc.

21415 US Hwy 75 NW, Warren, MN 56762
www.nordicfiberglass.com
218-745-5095 ph. --- 218-745-4990 fax

ND-6830-MG-LO

PROPRIETARY AND CONFIDENTIAL
THE INFORMATION CONTAINED IN THIS DRAWING IS THE SOLE PROPERTY OF
NORDIC FIBERGLASS, INC. ANY REPRODUCTION IN PART OR AS A WHOLE
WITHOUT THE WRITTEN PERMISSION OF NORDIC FIBERGLASS, INC. IS PROHIBITED.

Customer Name: N/A		
DIMENSIONS ARE IN INCHES		
TOLERANCES: ANGLES $\pm 1^\circ$		
FRACTIONAL $\pm 1/32$		
ONE PLACE DECIMAL $\pm .060$		
TWO PLACE DECIMAL $\pm .030$		
THREE PLACE DECIMAL $\pm .015$		
MATERIAL		DATE
DRAWN	P.J.W.	11/15/06
CHECKED	---	--/--

SIZE	ITEM ID:	REV.
A	02797.05	REL-01
SCALE:1:20	SHEET 1 OF 1	