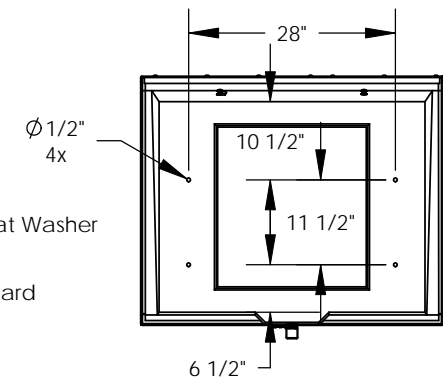
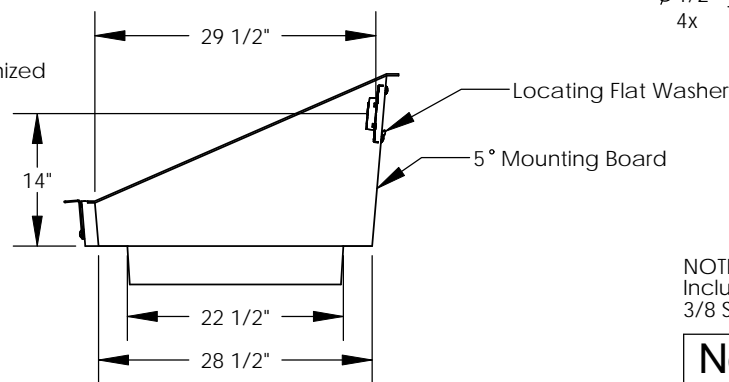
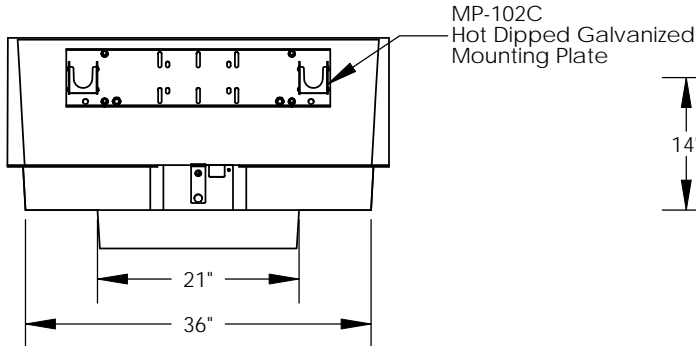
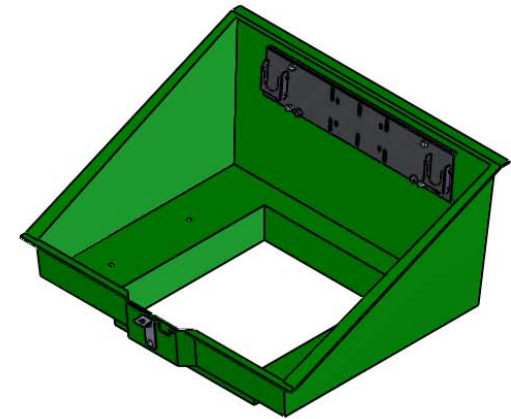
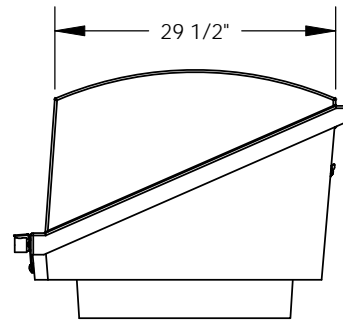
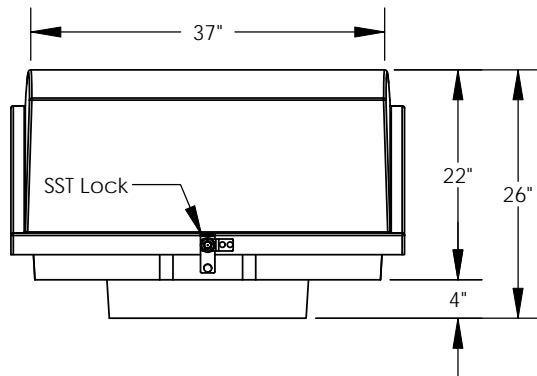


REVISIONS			
REV.	DESCRIPTION	DATE	APPROVED
REL-01		2/22/2007	



NOTE:  
Includes (4) 3/8-16x1.5 SST Hex Bolts, (4)  
3/8 SST Flat Washers

**PROPRIETARY AND CONFIDENTIAL**  
THE INFORMATION CONTAINED IN THIS DRAWING IS THE SOLE PROPERTY OF  
NORDIC FIBERGLASS, INC. ANY REPRODUCTION IN PART OR AS A WHOLE  
WITHOUT THE WRITTEN PERMISSION OF NORDIC FIBERGLASS, INC. IS PROHIBITED.

Customer Name: N/A		
DIMENSIONS ARE IN INCHES TOLERANCES: ANGLES $\pm 1^\circ$ FRACTIONAL $\pm 1/2$ ONE PLACE DECIMAL $\pm .060$ TWO PLACE DECIMAL $\pm .030$ THREE PLACE DECIMAL $\pm .015$		
MATERIAL		
DRAWN	P.J.W.	02/22/07
CHECKED	---	--/--/--

<b>Nordic Fiberglass, Inc.</b>		
21415 US Hwy 75 NW, Warren, MN 56762 www.nordicfiberglass.com 218-745-5095 ph. --- 218-745-4990 fax		
ND-37-MG-102C-X-X		
SIZE	ITEM ID:	REV.
<b>A</b>	02900.00	<b>REL-01</b>
SCALE:1:20	SHEET 1 OF 1	