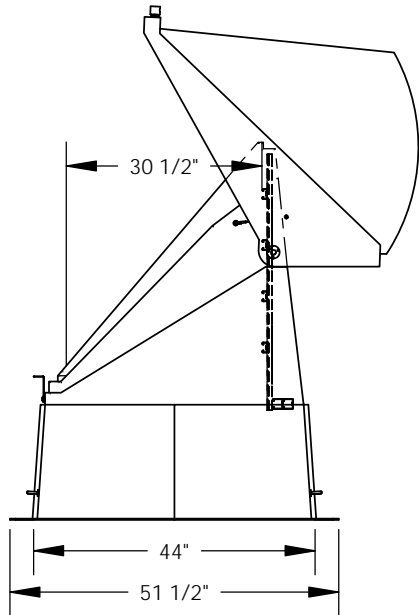
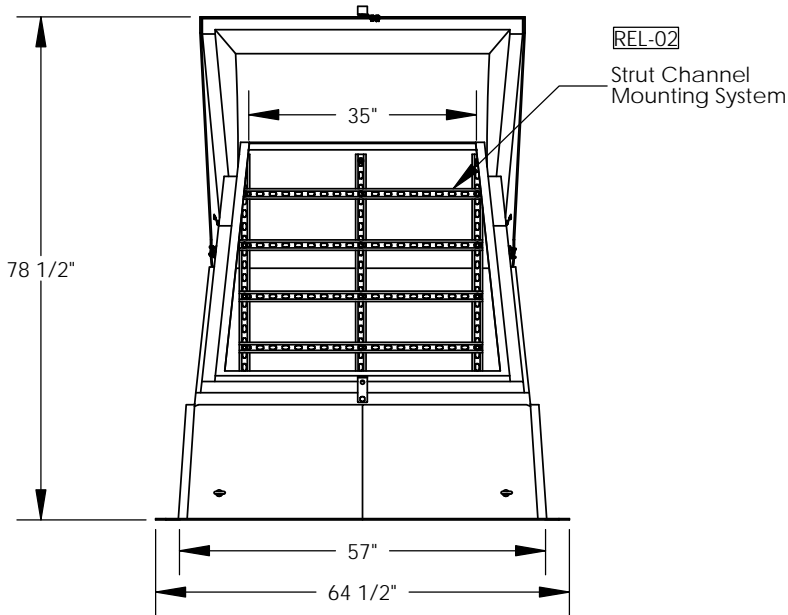
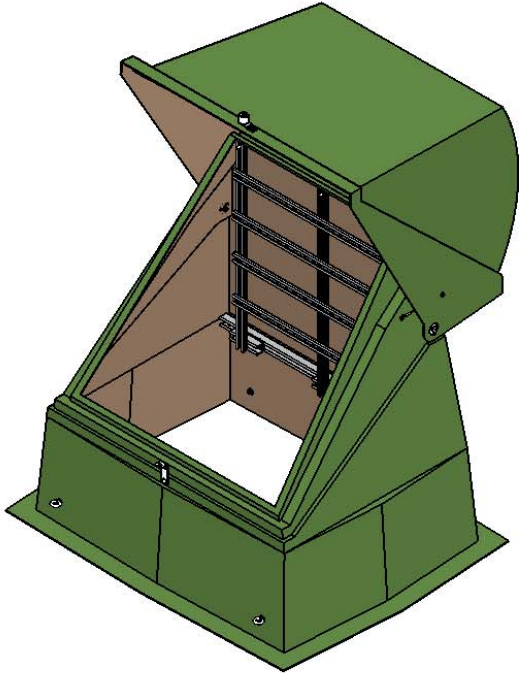
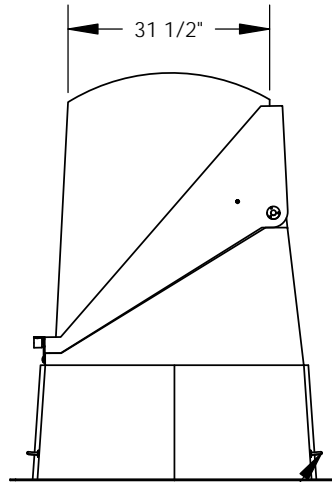
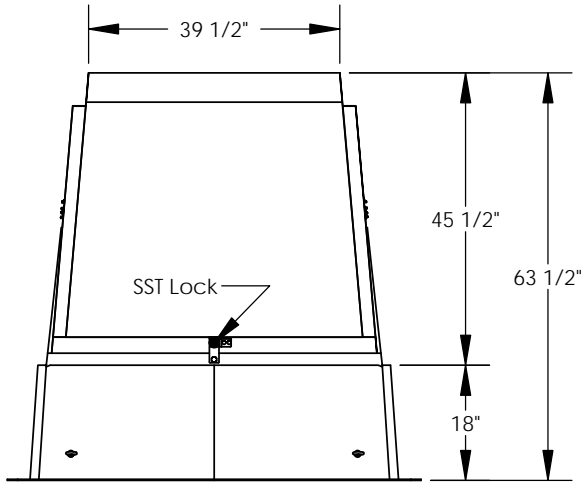


REVISIONS			
REV.	DESCRIPTION	DATE	APPROVED
REL-01		9/22/2006	
REL-02	Updated to Half Slotted 13/16" Unistruts From 1-5/8" Solid	8/21/2015	R.L.J.



**PROPRIETARY AND CONFIDENTIAL**  
 THE INFORMATION CONTAINED IN THIS DRAWING IS THE SOLE PROPERTY OF NORDIC FIBERGLASS, INC. ANY REPRODUCTION IN PART OR AS A WHOLE WITHOUT THE WRITTEN PERMISSION OF NORDIC FIBERGLASS, INC. IS PROHIBITED.

Customer Name: N/A		
DIMENSIONS ARE IN INCHES		
TOLERANCES: ANGLES ± 1°		
FRACTIONAL ± 1/2		
ONE PLACE DECIMAL ±.060		
TWO PLACE DECIMAL ±.030		
THREE PLACE DECIMAL ±.015		
MATERIAL		DATE
DRAWN	P.J.W.	01/15/07
CHECKED	---	--/--

**Nordic Fiberglass, Inc.**  
 21415 US Hwy 75 NW, Warren, MN 56762  
 www.nordicfiberglass.com  
 218-745-5095 ph. --- 218-745-4990 fax

ND-403264-MG-UNI4-X-X

SIZE	ITEM ID:	REV.
<b>A</b>	04190.05	<b>REL-02</b>
SCALE:1:30	SHEET 1 OF 1	