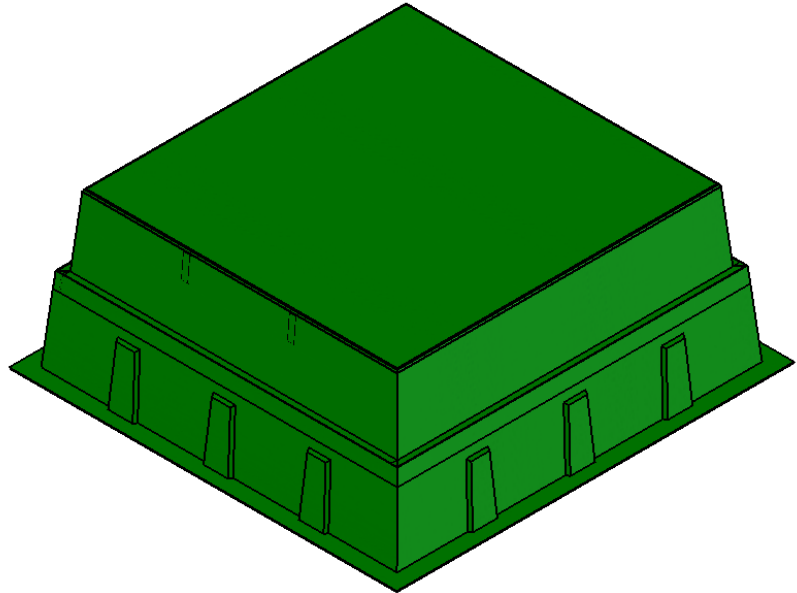
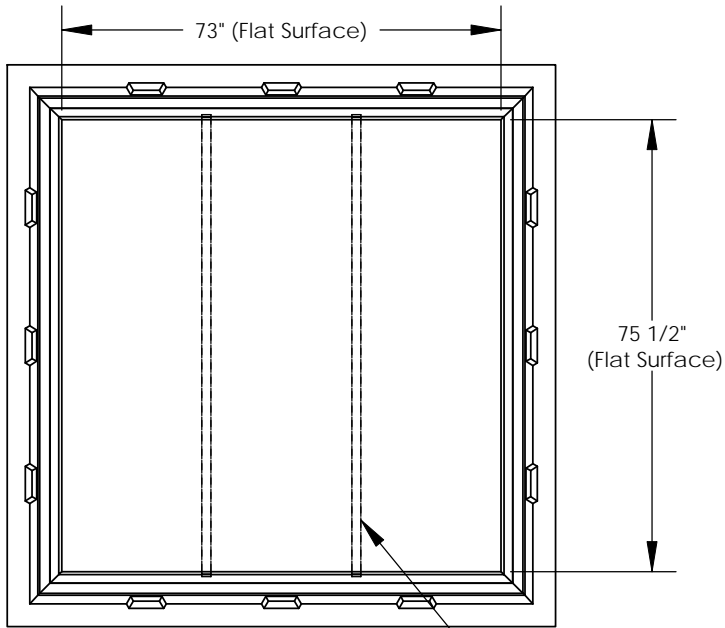
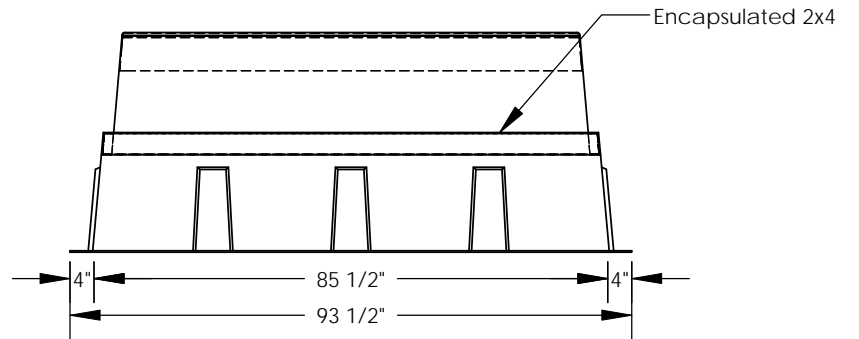
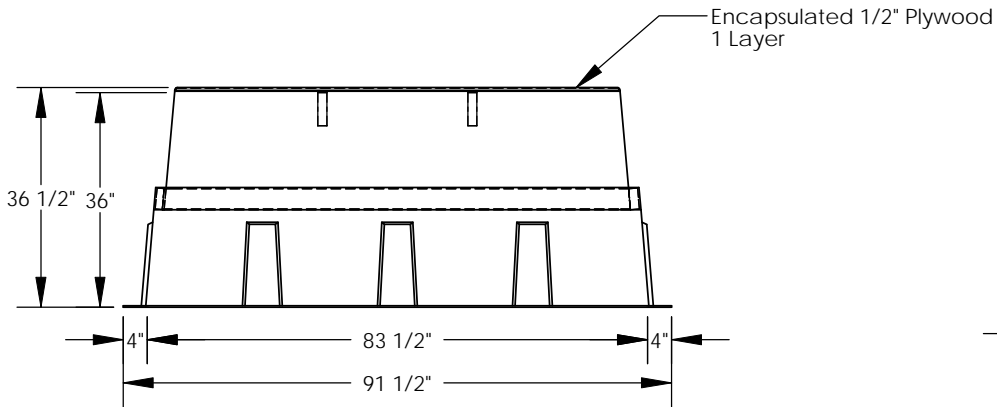


REVISIONS			
REV.	DESCRIPTION	DATE	APPROVED



Molded-In 2x6  
2x



**PROPRIETARY AND CONFIDENTIAL**  
THE INFORMATION CONTAINED IN THIS DRAWING IS THE SOLE PROPERTY OF NORDIC FIBERGLASS, INC. ANY REPRODUCTION IN PART OR AS A WHOLE WITHOUT THE WRITTEN PERMISSION OF NORDIC FIBERGLASS, INC. IS PROHIBITED.

Customer Name: N/A		
DIMENSIONS ARE IN INCHES		
TOLERANCES: ANGLES ± 1°		
FRACTIONAL ± 1/2		
ONE PLACE DECIMAL ±.060		
TWO PLACE DECIMAL ±.030		
THREE PLACE DECIMAL ±.015		
MATERIAL		
DRAWN	NAME	DATE
CHECKED	R.L.J.	06/30/09
	---	--/--

**Nordic Fiberglass, Inc.**  
21415 US Hwy 75 NW, Warren, MN 56762  
www.nordicfiberglass.com  
218-745-5095 ph. --- 218-745-4990 fax

GS-75-73-36RT-20-MG

SIZE	ITEM ID:	REV.
<b>A</b>	01818.00	<b>REL-01</b>
SCALE:1:32		SHEET 1 OF 1