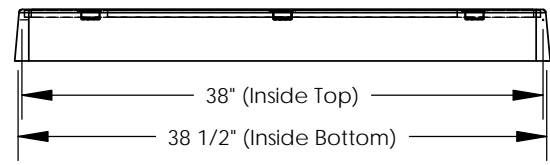
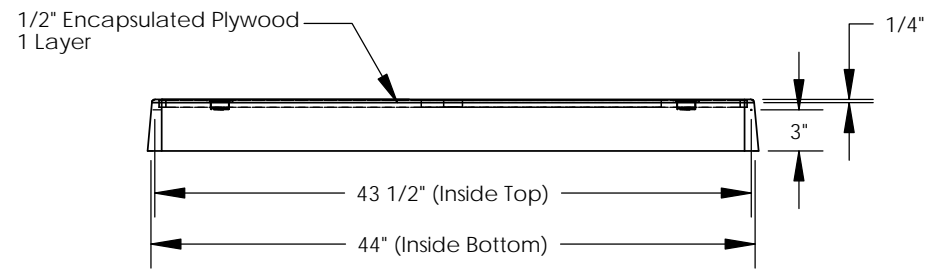
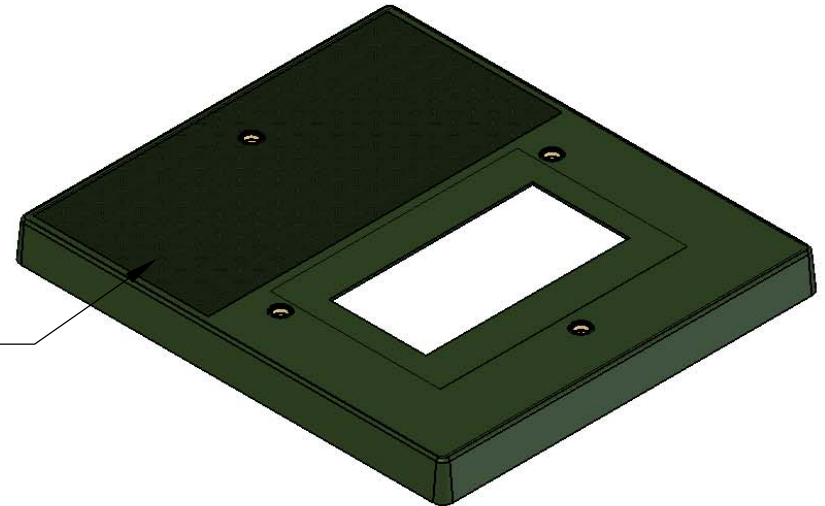
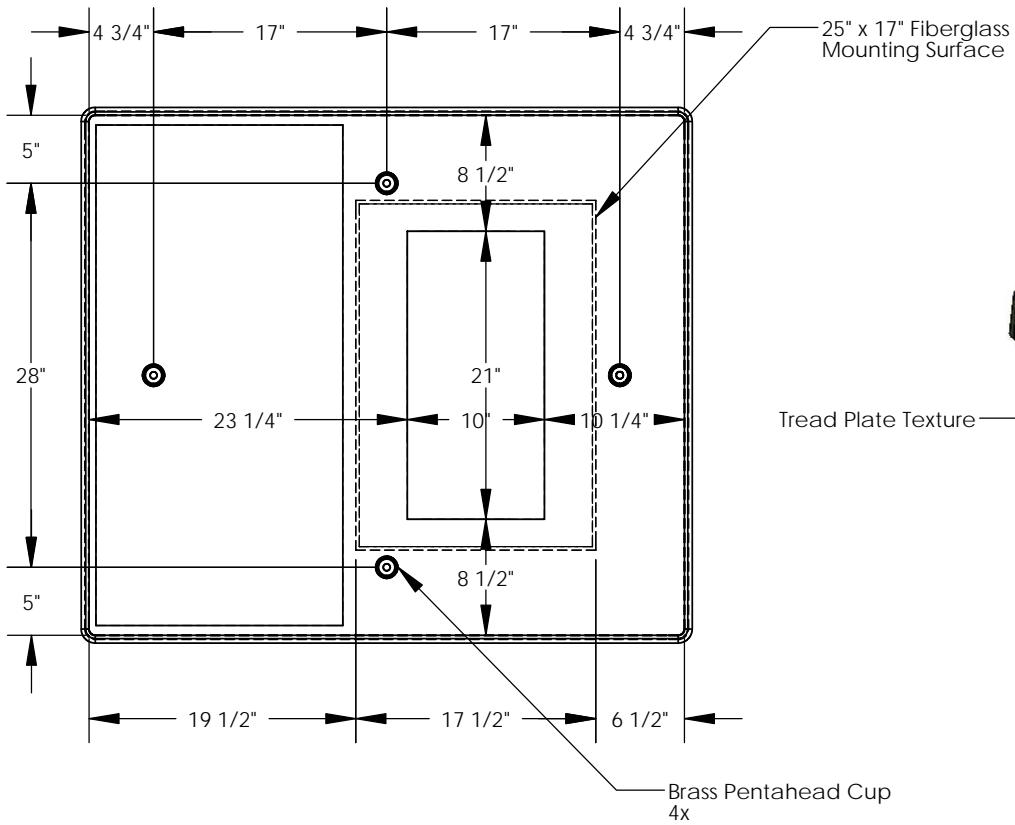


REVISIONS			
REV.	DESCRIPTION	DATE	APPROVED
REL-01		12/13/2007	
REL-02	New Female Mold, Added Downturn	1/15/2009	R.L.J.



NOTES:  
Includes (4) 3/8-16x1.5  
SST Pentahead Bolts

**Nordic Fiberglass, Inc.**  
21415 US Hwy 75 NW, Warren, MN 56762  
www.nordicfiberglass.com  
218-745-5095 ph. --- 218-745-4990 fax

**PROPRIETARY AND CONFIDENTIAL**  
THE INFORMATION CONTAINED IN THIS DRAWING IS THE SOLE PROPERTY OF NORDIC FIBERGLASS, INC. ANY REPRODUCTION IN PART OR AS A WHOLE WITHOUT THE WRITTEN PERMISSION OF NORDIC FIBERGLASS, INC. IS PROHIBITED.

Customer Name: N/A		
DIMENSIONS ARE IN INCHES		
TOLERANCES: ANGLES ± 1°		
FRACTIONAL ± 1/2		
ONE PLACE DECIMAL ±.060		
TWO PLACE DECIMAL ±.030		
THREE PLACE DECIMAL ±.015		
MATERIAL		
DRAWN	R.L.J.	12/13/07
CHECKED	---	--/--/--

GSA-37-43-MG-21x10	
SIZE	ITEM ID:
<b>A</b>	00146.06
REV.	<b>REL-02</b>
SCALE: 1:16	SHEET 1 OF 1