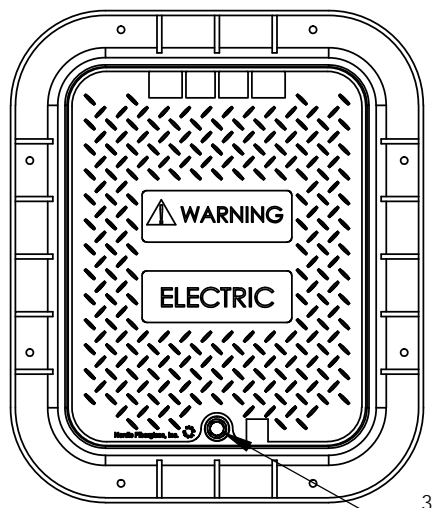
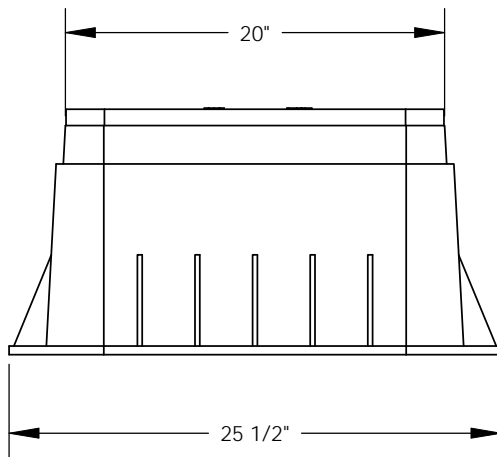
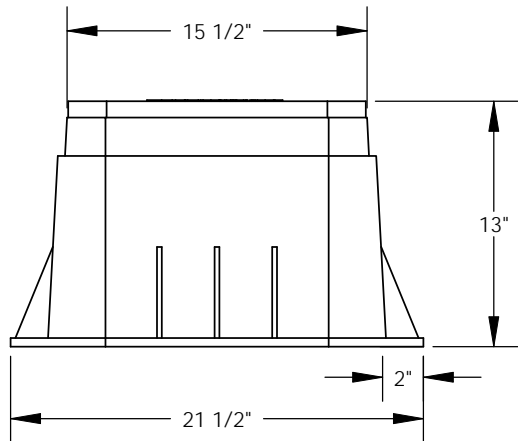
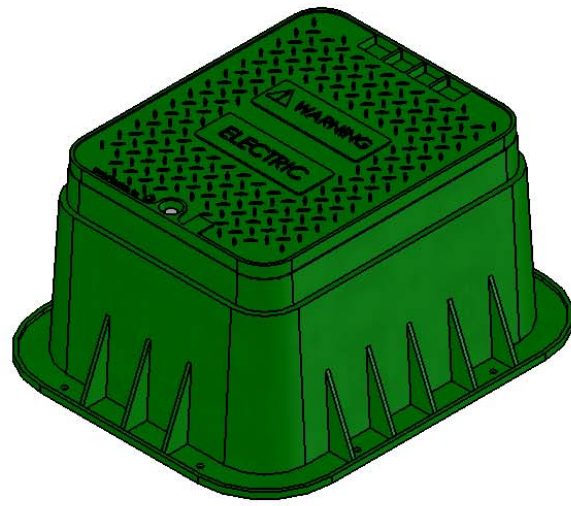


REVISIONS			
REV.	DESCRIPTION	DATE	APPROVED
REL-01		6/20/2006	
REL-02	Updated Cover to Injection Molded	12/1/2009	R.L.J.



3/8-16 SST
Pentahead Bolt



Nordic Fiberglass, Inc.

21415 US Hwy 75 NW, Warren, MN 56762
www.nordicfiberglass.com
218-745-5095 ph. --- 218-745-4990 fax

PHH-161912-MG

PROPRIETARY AND CONFIDENTIAL
THE INFORMATION CONTAINED IN THIS DRAWING IS THE SOLE PROPERTY OF NORDIC FIBERGLASS, INC. ANY REPRODUCTION IN PART OR AS A WHOLE WITHOUT THE WRITTEN PERMISSION OF NORDIC FIBERGLASS, INC. IS PROHIBITED.

Customer Name: N/A		
DIMENSIONS ARE IN INCHES TOLERANCES: ANGLES ± 1° FRACTIONAL ± 1/2 ONE PLACE DECIMAL ±.060 TWO PLACE DECIMAL ±.030 THREE PLACE DECIMAL ±.015		
MATERIAL		
	NAME	DATE
DRAWN	P.J.W.	06/20/06
CHECKED	---	--/--/--

SIZE	ITEM ID:	REV.
A	03513.00	REL-02
SCALE:1:10		SHEET 1 OF 1